



Schedule 40 and Schedule 80 PVC Rigid Nonmetallic (RNC) Conduit

Prime Conduit® manufactures the most complete line of nonmetallic conduits in the electrical industry. Prime Conduit Schedule 40 and Schedule 80 conduits are designed for use aboveground and underground as described in the National Electrical Code. Specify only Prime Conduit conduits to insure raceway system quality.

Features

- **Ease of Installation** Nonmetallic conduits are $\frac{1}{4}$ to $\frac{1}{5}$ the weight of metallic systems, can be installed in less than half the time, and are easily fabricated on the job.
- **Safety** Nonmetallic conduits are nonconductive, assuring a safe system.
- **Impact Resistant** Prime Conduit Schedule 40 and Schedule 80 nonmetallic conduits are resistant to sunlight and are listed for exposed or outdoor usage.
- **Corrosion Resistant** Prime Conduit conduits are nonmetallic and will not rust or corrode.
- **Standards** Prime Conduit nonmetallic Schedule 40 and Schedule 80 conduit is manufactured to NEMA TC-2, Federal specification W-C-1094A and UL 651 specifications. The conduit carries respective ETL Listings and ETL labels.

Support of Prime Conduit Rigid Nonmetallic Conduit in Aboveground Installations

Table 352.30(B) NEC shows the support requirements for Schedule 40 and Schedule 80 rigid PVC nonmetallic conduit.

Plastic conduit should always be installed away from steam lines, etc. Support straps should allow for lineal movement caused by expansion and contraction.

Maximum ambient temperature is 122°F (50°C).

Table 352.30(B)

Conduit Trade Size	Maximum Spacing Between Supports (feet)
$\frac{1}{2}$ " - 1"	3
$1\frac{1}{4}$ " - 2"	5
$2\frac{1}{2}$ " - 3"	6
$3\frac{1}{2}$ " - 5"	7
6"	8

Schedule 40 PVC Rigid Nonmetallic Conduit

- ETL Listed to UL651 in compliance with the NEC
- Heavy Wall EPC
- Listed for underground applications encased in concrete or direct burial.
- Also for use in exposed or concealed applications aboveground.
- Sunlight resistant
- Rated for use with 90°C conductors
- Superior weathering characteristics
- Made in USA
- Integral Bell Dimensions meet the requirements of UL651



*With Integral Bell

Part Number		Trade Size	Std. Crate Qty.		Wt. Per 100'	O.D. (Avg.)	Wall (Min.)
10'	20'		10'	20'			
49005-010	-	1/2"	6000'	-	17	0.840	0.109
49007-010	49007-020	3/4"	4400'	8800'	23	1.050	0.113
49008-010	49008-020	1"	3600'	7200'	34	1.315	0.133
49009-010	49009-020	1 1/4"	3300'	6600'	46	1.660	0.140
49010-010	49010-020	1 1/2"	2250'	4500'	55	1.900	0.145
49011-010	49011-020	2"	1400'	2800'	73	2.375	0.154
49012-010	49012-020	2 1/2"	930'	1860'	124	2.875	0.203
49013-010	49013-020	3"	880'	1760'	163	3.500	0.216
49014-010	49014-020	3 1/2"	630'	1260'	196	4.000	0.226
49015-010	49015-020	4"	570'	1140'	232	4.500	0.237
49016-010	49016-020	5"	380'	760'	315	5.563	0.258
49017-010	49017-020	6"	260'	520'	409	6.625	0.280



Notes:

1. Rigid nonmetallic conduit is normally supplied in standard 10' lengths, with one belled end per length. For specific requirements, it may be produced in lengths shorter or longer than 10', with or without belled ends
2. Special conduit sizes will be quoted on request.
3. **DON'T FORGET TO ORDER CEMENT.**
4. Use RNC Fittings with Schedule 40 and Schedule 80 Conduit
5. Prime Conduit reserves the right to ship to the nearest unitized quantity.

Schedule 80 PVC Rigid Nonmetallic Conduit

- ETL Listed to UL651 in compliance to the NEC
- Extra Heavy Wall EPC-80
- Listed for use in aboveground and belowground applications including areas subject to physical damage.
- Sunlight resistant
- Rated for use with 90°C conductors
- Superior weathering characteristics
- Identified for use in areas subject to physical damage in accordance to 352.12(C)
- Made in the USA
- Integral Bell Dimensions meet the requirements of UL651



Part Number		Trade	Std. Crate Qty.		Wt. Per	O.D.	Wall
10'	20'	Size	10'	20'	100'	(Avg.)	(Min.)
49405-010	49405-020	1/2"	6000'	12000'	21	0.840	0.147
49407-010	49407-020	3/4"	4400'	8000'	30	1.050	0.154
49408-010	49408-020	1"	3600'	7200'	44	1.315	0.179
49409-010	49409-020	1 1/4"	3300'	6600'	60	1.660	0.191
49410-010	49410-020	1 1/2"	2250'	3600'	72	1.900	0.200
49411-010	49411-020	2"	1400'	2800'	101	2.375	0.218
49412-010	49412-020	2 1/2"	930'	1880'	154	2.875	0.276
49413-010	49413-020	3"	880'	1760'	210	3.500	0.300
49415-010	49415-020	4"	570'	1140'	308	4.500	0.337
49416-010	—	5"	380'	—	428	5.563	0.375
49417-010	49417-020	6"	260'	520'	588	6.625	0.432

*With Integral Bell



Notes:

1. Rigid nonmetallic conduit is normally supplied in standard 10' lengths, with one belled end per length. For specific requirements, it may be produced in lengths shorter or longer than 10', with or without belled ends
2. Special conduit sizes will be quoted on request.
3. DON'T FORGET TO ORDER CEMENT.
4. Use RNC Fittings with Schedule 40 and 80 Conduit
5. Prime Conduit reserves the right to ship to the nearest unitized quantity.

Prime Conduit PVC Elbows and Sweeps Part Numbering System

Prime Conduit Elbows and Sweeps Part Numbering System					
Position:	1	2	3	4	5
Letter/Number:	UA	7	A	K	
Description:	Sch. 40	45°	Std. Radius	2 1/2"	Non-Belled

1: Product Line

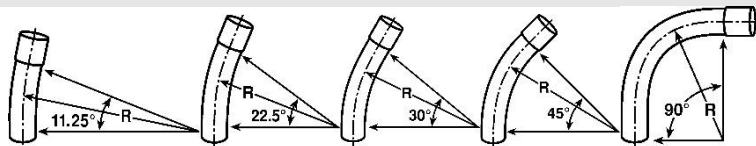
- UA = Schedule 40 Heavy Wall EPC
- UB = Schedule 80 Extra Heavy Wall EPC
- UC = Schedule 40 Heavy Wall Utility Conduit*
- PE = DB-100 Sweeps*
- PF = DB-60 Sweeps*
- PH = DB-120 Sweeps*
- TP = Telephone Duct "C" Sweeps*
- TW = White Telephone Duct "C" Sweeps*



* Non-ETL Listed

2: Angle

- 9 = 90° Elbow
- 7 = 45° Elbow
- 6 = 30° Elbow
- 5 = 22 1/2° Elbow
- 3 = 11 1/4° Elbow



3: Radius

- A = Standard Radius
- B = 12"
- C = 18"
- D = 24"
- E = 30"
- F = 36"
- H = 48"
- I = 60"
- J = 72"
- N = 120"
- R = 144"
- S = 150"
- T = 180"
- U = 240"
- V = 300"

4: Diameter

- | | |
|------------|------------|
| D = 1/2" | L = 3" |
| E = 3/4" | M = 3 1/2" |
| F = 1" | N = 4" |
| G = 1 1/4" | P = 5" |
| H = 1 1/2" | R = 6" |
| J = 2" | T = 8" |
| K = 2 1/2" | |



5: Belled Elbow

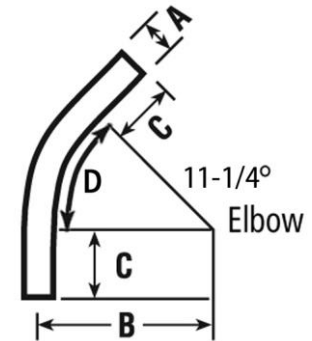
- B = Belled; All DB-100, DB-60, DB-120, and Telephone Duct sweeps are belled and do not have the "B" in position 5.
- S = Segmented



Schedule 40 and 80 PVC Rigid Nonmetallic Elbows

Sales Information:

- ETL Listed to UL 651 in compliance with the NEC.
- Meets NEMA TC3 - *Polyvinyl Chloride (PVC) Fittings for Use with Rigid PVC Conduit and Tubing.*
- Not all configurations are stocked.
- Elbows 72" and larger may be shipped in segments.
- Contact you local Rep for more information.
- Consult factory for additional sizes/configurations.



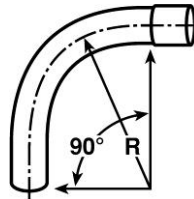
Dimensional Information:

- Dimensions are nominal.
- Average outer diameter per UL651, Table 4.1
- Minimum standard radius per UL 651, Table 4.10
- Minimum tangent length per UL651, Table 4.10
- Integral belled end dimensions per U651, Table 4.4

Trade Size	Average OD "A"	Min. Standard Radius "B"	Special Radius "B"	Min. Tangent Length "C"	Arc Length "D"
1/2"	0.840"	4"	See part number list on the special radius elbow pages.	1 1/2"	*See calculation below.
3/4"	1.050"	4 1/2"		1 1/2"	
1"	1.315"	5 3/4"		1 7/8"	
1 1/4"	1.660"	7 1/4"		2"	
1 1/2"	1.900"	8 1/4"		2"	
2"	2.375"	9 1/2"		2"	
2 1/2"	2.875"	10 1/2"		3"	
3"	3.500"	13"		3 1/8"	
3 1/2"	4.000"	15"		3 1/4"	
4"	4.500"	16"		3 3/8"	
5"	5.563"	24"		3 5/8"	
6"	6.625"	30"		3 3/4"	

*Arc Length "D" = $[2 * \text{Radius}] * \pi * [\text{Angle}/360]$

Example: Arc Length_{UA3AD} = $[2*4] * 3.14 * [11.25/360] = 0.79"$



Part Number	Trade Size	Type	Radius "B"	EACH UPC
UA9CF	1"	PLAIN END	18"	670648067101
UA9CFB	1"	BELL END	18"	670648227239
UA9DF	1"	PLAIN END	24"	670648067415
UA9DFB	1"	BELL END	24"	670648227314
UA9EF	1"	PLAIN END	30"	670648067255
UA9EFB	1"	BELL END	30"	670648079470
UA9FF	1"	PLAIN END	36"	670648067323
UA9HF	1"	PLAIN END	48"	670648067453
UA9CG	1-1/4"	PLAIN END	18"	670648227253
UA9CGB	1-1/4"	BELL END	18"	670648196504
UA9DG	1-1/4"	PLAIN END	24"	670648068061
UA9DGB	1-1/4"	BELL END	24"	670648196559
UA9EG	1-1/4"	PLAIN END	30"	670648067309
UA9EGB	1-1/4"	BELL END	30"	670648055009
UA9FG	1-1/4"	PLAIN END	36"	670648067507
UA9FGB	1-1/4"	BELL END	36"	670648196702
UA9HG	1-1/4"	PLAIN END	48"	670648067460
UA9HGB	1-1/2"	BELL END	12"	670648967296
UA9CH	1-1/2"	PLAIN END	18"	670648067125
UA9CHB	1-1/2"	BELL END	18"	670648196511
UA9DH	1-1/2"	PLAIN END	24"	670648067118
UA9DHB	1-1/2"	BELL END	24"	670648196566
UA9EH	1-1/2"	PLAIN END	30"	670648067316
UA9EHB	1-1/2"	BELL END	30"	670648055184
UA9FH	1-1/2"	PLAIN END	36"	670648068139
UA9FHB	1-1/2"	BELL END	36"	670648196719
UA9HH	1-1/2"	PLAIN END	48"	670648067477
UA9CJ	2"	PLAIN END	18"	670648067408
UA9CJB	2"	BELL END	18"	670648196528
UA9DJ	2"	PLAIN END	24"	670648967166
UA9DJB	2"	BELL END	24"	670648196573
UA9EJ	2"	PLAIN END	30"	670648067170
UA9EJB	2"	BELL END	30"	670648196641
UA9FJ	2"	PLAIN END	36"	670648067187
UA9FJB	2"	BELL END	36"	670648196726
UA9HJ	2"	PLAIN END	48"	670648067194
UA9HJB	2"	BELL END	48"	670648196818
UA9JJ	2"	PLAIN END	72"	670648227741
UA9CK	2-1/2"	PLAIN END	18"	670648067149
UA9CKB	2-1/2"	BELL END	18"	670648196535
UA9DK	2-1/2"	PLAIN END	24"	670648167214
UA9DKB	2-1/2"	BELL END	24"	670648196580
UA9EK	2-1/2"	PLAIN END	30"	670648067224
UA9EKB	2-1/2"	BELL END	30"	670648196658
UA9FK	2-1/2"	PLAIN END	36"	670648067231
UA9FKB	2-1/2"	BELL END	36"	670648196733
UA9HK	2-1/2"	PLAIN END	48"	670648067248
UA9HKB	2-1/2"	BELL END	48"	670648196825
UA9CL	3"	PLAIN END	18"	670648067156
UA9CLB	3"	BELL END	18"	670648196542
UA9DL	3"	PLAIN END	24"	670648227383
UA9DLB	3"	BELL END	24"	670648196597
UA9EL	3"	PLAIN END	30"	670648227420
UA9ELB	3"	BELL END	30"	670648196665
UA9FL	3"	PLAIN END	36"	670648067286

Part Number	Trade Size	Type	Radius "B"	EACH UPC
UA9FLB	3"	BELL END	36"	670648196740
UA9HL	3"	PLAIN END	48"	670648067293
UA9HLB	3"	BELL END	48"	670648196832
UA9IL	3"	PLAIN END	60"	670648183269
UA9DM	3-1/2"	PLAIN END	24"	670648067200
UA9DMB	3-1/2"	BELL END	24"	670648196603
UA9EM	3-1/2"	PLAIN END	30"	670648067354
UA9EMB	3-1/2"	BELL END	30"	670648055191
UA9FM	3-1/2"	PLAIN END	36"	670648067330
UA9FMB	3-1/2"	BELL END	36"	670648196757
UA9HM	3-1/2"	PLAIN END	48"	670648067347
UA9HMB	3-1/2"	BELL END	48"	670648196849
UA9CNB	4"	BELL END	18"	670648186970
UA9DN	4"	PLAIN END	24"	670648067361
UA9DNB	4"	BELL END	24"	670648196610
UA9EN	4"	PLAIN END	30"	670648067378
UA9ENB	4"	BELL END	30"	670648196689
UA9FN	4"	PLAIN END	36"	670648067385
UA9FNB	4"	BELL END	36"	670648196764
UA9HN	4"	PLAIN END	48"	670648067392
UA9HNB	4"	BELL END	48"	670648196856
UA9IN	4"	PLAIN END	60"	670648227666
UA9INB	4"	BELL END	60"	670648227673
UA9JN	4"	PLAIN END	72"	670648227789
UA9MN	4"	PLAIN END	108"	670648967319
UA9RN	4"	PLAIN END	144"	670648142761
UA9SNB	4"	BELL END	150"	670648967333
UA9VN	4"	PLAIN END	300"	670648142778
UA9EP	5"	PLAIN END	30"	670648067422
UA9EPB	5"	BELL END	30"	670648196696
UA9FP	5"	PLAIN END	36"	670648067439
UA9FPB	5"	BELL END	36"	670648196771
UA9HP	5"	PLAIN END	48"	670648067446
UA9HPB	5"	BELL END	48"	670648196863
UA9IP	5"	PLAIN END	60"	670648227680
UA9IPB	5"	BELL END	60"	670648227697
UA9JP	5"	PLAIN END	72"	670648142754
UA9TP	5"	PLAIN END	180"	670648193817
UA9VP	5"	PLAIN END	300"	670648142785
UA9FR	6"	PLAIN END	36"	670648067484
UA9FRB	6"	BELL END	36"	670648196788
UA9HR	6"	PLAIN END	48"	670648067491
UA9HRB	6"	BELL END	48"	670648196870
UA9IR	6"	PLAIN END	60"	670648227703
UA9IRB	6"	BELL END	60"	670648227710
UA9JRB	6"	BELL END	72"	670648145199
UA9LRB	6"	BELL END	96"	670648967302
UA9MR	6"	PLAIN END	108"	670648967326
UA9RRB	6"	BELL END	144"	670648356236
UA9SR	6"	PLAIN END	150"	670648126334
UA9TRB	6"	BELL END	180"	670648120134
UA9VR	6"	PLAIN END	300"	670648967340

Carton Quantity = 1