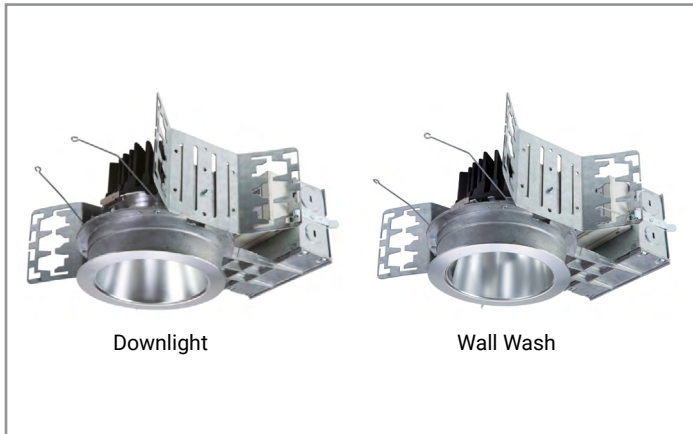


Project		Catalog #		Type	
Prepared by		Notes		Date	



Portfolio

LD4C | EU4C | 4LB

4" Round, New Construction Downlight
Narrow, Medium, Wide Beam or Wall Wash
250-7500 Lumens

Typical Applications

Office • Education • Healthcare • Hospitality • Retail •
Code-Compliance Areas • Sports Venues

Interactive Menu

- Order Information [page 2](#)
- Product Specifications [page 4](#)
- Energy Data [page 6](#)
- Photometric Data [page 7](#)
- Connected System [page 14](#)
- Product Warranty

Product Certification



Control Compatibility



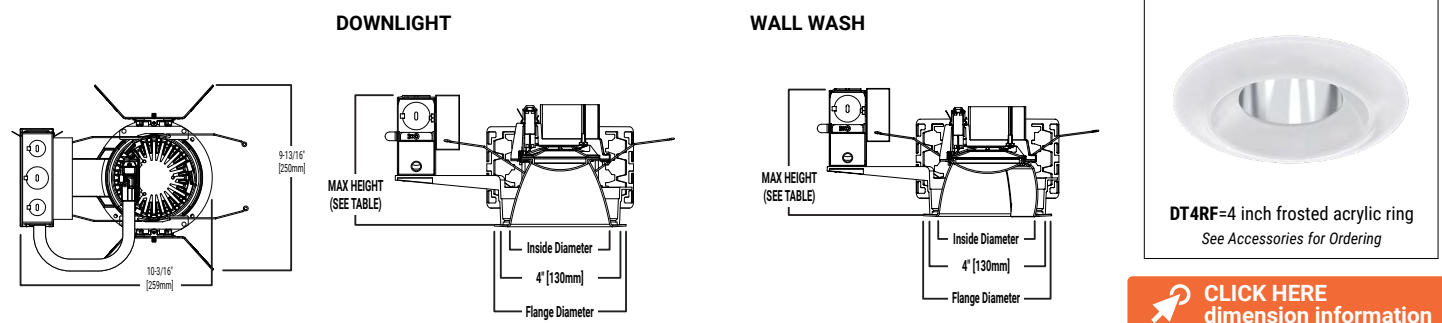
Product Features



Top Product Features

- 250-7500 lumens; Offered in 90 and 97 CRI; ENERGY STAR® qualified
- Easy disconnect for LED engine replacement and installation
- Optional snap in driver for ease of replacement
- Standard 0-10V driver dims to 1%
- 2400K, 2700K, 3000K, 3500K, 4000K, 5000K; D2W™ option from 3000K to 1850K
- Available W2N tunable white CCT range 2700K to 6500K or 2000K to 5000K
- Options to meet Buy American and other domestic preference requirements

Dimensional and Mounting Details



Single Line Order Information

SAMPLE ORDER NUMBER: **LD4C109030D010M1H**

Invoice will indicate separate fixture components (housing, trim, module) which will ship complete from a single CLS facility in separate cartons. To receive separate components (housing, trim, module) shipment, click on the "Multi-Line Ordering Information Option" button to the right.

 Multi-line Ordering Information Option

Housing	Lumen ⁽¹⁾				Color Control	CCT ⁽²⁰⁾	
LD4C =LED Downlight 4" Nominal Aperture LD4CCP =LED Downlight 4" Nominal Aperture, Chicago Plenum For BAA or TAA use Multi-line Ordering	02 = 250 lumens, IC rated 05 = 500 lumens, IC rated 08 = 800 lumens, IC rated 10 = 1000 Lumens 10IC = 1000 Lumens, IC rated	15 = 1500 Lumens 15IC = 1500 Lumens, IC rated 20 = 2000 Lumens 25 = 2500 lumens 30 = 3000 Lumens	35 = 3500 lumens 40 = 4000 Lumens 45 = 4500 Lumens ⁽¹⁰⁾ 50 = 5000 Lumens ⁽¹⁰⁾ 55 = 5500 Lumens ⁽¹⁰⁾	60 = 6000 Lumens ⁽¹⁰⁾ 65 = 6500 Lumens ⁽¹⁰⁾ 70 = 7000 Lumens ⁽¹⁰⁾ 75 = 7500 Lumens ⁽¹⁰⁾	90 =90 CRI Minimum 97 =97 CRI Minimum	90 CRI 24 =2400K 27 =2700K 30 =3000K 35 =3500K 40 =4000K 50 =5000K	97 CRI 27 =2700K 30 =3000K

Driver	Specify from Driver column. Information below for reference only.
	Remote driver & plug in driver
D010 =0-10V Dimming, 1% to 100%, 120V-277V up to 7000 lumens (up to 3000 lumens for remote driver) 1D010 =0-10V Dimming, 1% to 100%, 120V 7500 lumens (3500 to 7000 lumens for remote driver) 2D010 =0-10V Dimming, 1% to 100%, 277V 7500 lumens (3500 to 7000 lumens for remote driver) 3D010 =0-10V Dimming, 1% to 100%, 347V dedicated drivers for 800 to 4000 lumens; 250, 500, 4500 and above use step down transformer (250 to 7000 lumens for remote driver)	250-7000
D010TR =0-10V Dimming, 5% to 100%,120V-277V or 120V line voltage dimming 250- 4500 lumens (up to 3000 lumens for remote driver) 1D010TR =0-10V or line voltage Dimming, 5% to 100%, 120V 5000-7500 lumens (3500 to 4500 lumens for remote driver) 2D010TR =0-10V Dimming, 5% to 100%, 277V 5000-7500 lumens (3500 to 4500 lumens for remote driver) 3D010TR =0-10V or line voltage Dimming, 5% to 100%, 347V step down transformer 250-7500 lumens (250 to 4500 lumens for remote driver)	250-4500
DE010 =0-10V Dimming, 0% to 100%, 120V-277V 500-7000 lumens (up to 3000 lumens for remote driver) 1DE010 =0-10V Dimming, 0% to 100%, 120V 7500 lumens (3500 to 7000 lumens for remote driver) 2DE010 =0-10V Dimming, 0% to 100%, 277V 7500 lumens (3500 to 7000 lumens for remote driver) 3DE010 =0-10V Dimming, 0% to 100%, 347V step down transformer, 500-7500 lumens (500 to 7000 lumens for remote driver)	500-7000
DSLT =Fifth Light® (DALI T6) Logarithmic Dimming, 0% to 100%, 120V-277V, 500-7000 lumens (up to 3000 lumens for remote driver) 1DSLT =Fifth Light® (DALI T6) Logarithmic Dimming, 0% to 100%, 120V 7500 lumens (3500 to 7000 lumens for remote driver) 2DSLT =Fifth Light® (DALI T6) Logarithmic Dimming, 0% to 100%, 277V 7500 lumens (3500 to 7000 lumens for remote driver) 3DSLT =Fifth Light® (DALI T6) Logarithmic Dimming, 0% to 100% 347V step down transformer, 500-7500 lumens (500 to 7000 lumens for remote driver)	500-7000
DMX =DMX/RDM Logarithmic Dimming, 0% to 100%, 120V-277V 800-4500 lumens (up to 3000 lumens for remote driver) ⁽¹⁴⁾ 1DMX = DMX/RDM Logarithmic Dimming, 0% to 100%, 120V, 5000-7500 lumens (3500 to 4500 lumens for remote driver) ⁽¹⁴⁾ 2DMX =DMX/RDM Logarithmic Dimming, 0% to 100%, 277V, 5000-7500 lumens (3500 to 4500 lumens for remote driver) ⁽¹⁴⁾ 3DMX =DMX/RDM Logarithmic Dimming, 0% to 100%, 347V step down transformer, 800-7500 lumens (800 to 4500 lumens for remote driver) ⁽¹⁴⁾	800-4500
DMXC5 =DMX/RDM Logarithmic Dimming, 0% to 100%, 120V-277V, 800-4500 lumens, RJ45 Connection (up to 3000 lumens for remote driver) ⁽¹⁴⁾ 1DMXC5 =DMX/RDM Logarithmic Dimming, 0% to 100%, 120V, 5000-7500 lumens, RJ45 Connection (3500 to 4500 lumens for remote driver) ⁽¹⁴⁾ 2DMXC5 =DMX/RDM Logarithmic Dimming, 0% to 100%, 277V, 5000-7500 lumens, RJ45 Connection (3500 to 4500 lumens for remote driver) ⁽¹⁴⁾ 3DMXC5 =DMX/RDM Logarithmic Dimming, 0% to 100%, 347V step down transformer, 800-7500 lumens, RJ45 Connection (800 to 4500 lumens for remote driver) ⁽¹⁴⁾	800-4500
LDL2 = Lutron® Hi-Lume Forward Phase Dimming, 1% to 100%, 120V Only 800-7500 lumens (800 to 3500 lumens for remote driver) 3DL2 = Lutron® Hi-Lume Forward Phase Dimming, 1% to 100%, 347V step down transformer, 800-7500 lumens (800 to 3500 lumens for remote driver)	800-3500
DLE =Lutron Ecosystem dimming 1% to 100%, 120V-277V, 800-3500 lumens (up to 3000 lumens for remote driver) 1DLE =Lutron Ecosystem dimming 1% to 100%, 120V, 4000-7500 lumens (3500 lumens for remote driver) 2DLE =Lutron Ecosystem dimming 1% to 100%, 277V, 4000-7500 lumens (3500 lumens for remote driver) 3DLE =Lutron Ecosystem dimming 1% to 100%, 347, step down transformer, 800-7500 lumens (800-3500 lumens for remote driver)	800-3500
DLV = Low voltage dimming driver (1-100%) for use with DLVP system 800-3000 lumens ⁽³⁾	800-3000 (Remote driver only)

Driver Options	Hanger Bars
Blank = Integral driver RC100 = Remote 100ft ⁽³⁾ ⁽³³⁾ RC75 = Remote 75ft ⁽³⁾ ⁽³³⁾ RC50 = Remote 50ft ⁽³⁾ ⁽³³⁾ RC25 = Remote 25ft ⁽³⁾ RC15 = Remote 15ft ⁽³⁾ RC5 = Remote 5ft ⁽³⁾ RC2 = Remote 2ft ⁽³⁾ PD = Plug in Driver	Blank = Without hanger bars B26 = C-channel Bar Hanger, 26" Long, Pair

Trim Distribution ⁽⁵⁾	Trim Flange	Trim Finish	Options ⁽³⁾ ⁽¹⁶⁾ ⁽³¹⁾
N =Narrow, Spun Aluminum ⁽²⁶⁾ M =50° Cutoff, Medium Beam Reflector, Spun Aluminum MD =45° Cutoff, Medium Beam Reflector, Spun Aluminum W =Wide, Spun Aluminum S =Shallow, Spun Aluminum HY =Hyperbolic medium beam ⁽¹²⁾ PS =Non-Conductive Shallow, Injection Molded white ⁽¹¹⁾ ⁽¹²⁾ CS =Cast Shallow, Die Cast Aluminum BA = Spun Aluminum Baffle ⁽⁷⁾ Wall Wash SWN = Single Wall Wash, Spun Aluminum DWN = Double Wall Wash, Spun Aluminum CW = Corner Wall Wash, Spun Aluminum LSWW = Lensed Single wall wash, Spun Aluminum LDWW = Lensed Double wall wash, Spun Aluminum	0 =White Polymer Trim Ring 1 =Self-flanged ⁽¹³⁾ 2 =White Painted Self-flanged 4 =Knife edge rimless use with die cast only ⁽⁸⁾ ⁽²²⁾	LI =Specular Clear ⁽⁹⁾ H =Semi-Specular Clear ⁽⁹⁾ WMH =Warm Haze ⁽⁹⁾ WH =Wheat ⁽⁹⁾ GPH =Graphite Haze ⁽⁹⁾ B =Specular Black ⁽⁹⁾ MW =Matte White (Antimicrobial) MB =Matte Black ⁽⁹⁾ MMS =Matte Metallic Silver ⁽⁹⁾	EMB0D =Bodine® Emergency Module with Remote Test Switch ⁽²⁵⁾ EMB0D6ST =Bodine® 6W Self Test Emergency Module with Remote Test Switch EM7 =7W Emergency Module with Remote Test Switch EM14 =14W Emergency Module with Remote Test Switch EMB0D7ST =Bodine® Self Test Emergency Module ⁽²⁵⁾ IEMB0D =Bodine® Emergency Module with Integral Test Switch ⁽⁶⁾ ⁽²⁵⁾ IEM7 =7W Emergency Module with Integral Test Switch ⁽⁶⁾ IEM14 =14W Emergency Module with Integral Test Switch ⁽⁶⁾ EMV7 =7W Low Voltage Emergency Module with Remote Test Switch ⁽⁴⁾ EMV14 =14W Low Voltage Emergency Module with Remote Test Switch ⁽⁴⁾ ETRD =Emergency transfer device ⁽³²⁾ WPST = Factory installed Wavelinx (includes control module, sensor, cable, tilemount and ceiling mount sensor) ⁽¹⁵⁾ ⁽¹⁸⁾ WLST = Factory installed WaveLinX LITE Sensor Kit ⁽¹⁵⁾ ⁽¹⁷⁾ WPN = WaveLinX PRO Wireless Node without sensor ⁽²⁰⁾

Continued on next page.

Single Line Order Information

Accessories (Sold separately) ⁽²²⁾

TRM4P =White metal trim ring ⁽²⁾ LGSKT4IP66 =IP66 Gasket Kit DT4RF =6 inch frosted acrylic ring ⁽²⁹⁾ PRR4 =Rimless Plaster Ring ⁽²⁾ RKP4 =Knife Edge plaster Ring ⁽²⁴⁾	RPM4MW =Rimless Millwork Ring, Matte White ⁽²⁾ RPM4MB =Rimless Millwork Ring, Matte Black ⁽²⁾ RKM4MW =Knife Edge Millwork Ring, Matte White ⁽²⁴⁾ RKM4MB =Knife Edge Millwork Ring, Matte Black ⁽²⁴⁾ HSA4 =Slope Adapter for 4" Aperture Housings, Specify Slope ⁽³⁴⁾	Connected Lighting Systems ^{(9) (19)} WPST = Field installed WaveLinX sensor Kit ⁽¹⁷⁾ WLST = Field installed WaveLinX LITE Sensor Kit ⁽¹⁸⁾ Transformers H347 =H347 for 5500 lumens and below H347200 =347 to 120V Step Down Transformer, 200VA	Bar Hangers HB50 =C-channel Bar Hanger, 50" Long, Pair RMB22 =Wood Joist Bar Hanger, 22" Long, Pair
---	--	--	--

Notes:

- Nominal Lumens will vary depending on selected color, CRI, driver and reflector finish. Reference [Multiplier tables](#).
- Order trim with polymer trim ring (Consult specification sheet for color ordering information and options).
- Not available with Chicago Plenum.
- ULus listed only
- Beam angles are nominal with LI finish trims.
- Available with narrow (N), medium (M) and medium 45 degree (MD) Spun Aluminum trims. Required for use with all, IEMB0D, IEM7, IEM14, IEMV7 and IEMV14 housings. Not offered with remote driver.
- Only available with Matte White and Matte Black Finishes.
- Available only on CS distributions.
- Not available on PS, CS or BA distributions.
- Product is marked spacing. [Reference table on page 4](#).
- PS available in self-flanged MW finish only.
- Offered up to 2000 lumens
- Flange is the same finish as the reflector
- DMX fixtures default to full on upon loss of DMX signal.
- Refer to system specifications for additional information, features, and benefits. Order either factory installed option or accessory. Use with 0-10V driver.
- Non-IC
- WLST = WaveLinX LITE tilemount sensor kit for daylight dimming, PIR motion sensing, use with D010 only (Refer to WaveLinX LITE system specifications)
- WPST = WaveLinX wireless sensor kit for daylight dimming, PIR motion sensing, and optional RLTS - Real Time Location Services, use with 0-10V only.
- WPN = WaveLinX PRO wireless node provides luminaire-level control with scene and zone configuration without an integrated sensor; Connects wirelessly with daylight dimming sensor and PIR motion sensor if desired. Use with 0-10V driver only.
- Accessories sold separately will be separately analyzed under domestic preference requirements. Consult factory for further information.
- Accessory (Requires knife edge accessory ring)
- Order die cast trim with flange type 4
- Not available with 6500-7000 lumens, DLVP up to 3000 lumens
- Offered with
- D010, DSLT, DE010 up to 7000 lumens
- D010TR, DMX up to 4500 lumens
- DLE, DL2 up to 3500 lumens
- Order with self flanged trim.
- 120V-277V
- Used to bypass local control during outage. Must be used in conjunction with UL 1008 device (provided by others)
- Not available with Lutron drivers
- Not recommended for use with Wall Wash

Product Specifications

Lower Shielding Reflector

- Painted die-cast aluminum or spun aluminum lower reflector with lensed upper optical chamber provides superior lumen output with minimal source brightness
- Spun reflectors are available in all Portfolio anodized finishes
- Hyperbolic reflector provides minimal aperture brightness and glare.
- Available with non-conductive polymer reflector up to 2000 lumens
- Plaster lathing ring, knife edge and millwork ring accessory for flush reflector transition
- Decorative frosted acrylic ring provides a light glow in the ceiling

Wall Wash Reflector

- Open Wall Wash** - wall wash reflector with gradient kicker offered in single, double and corner wall wash provides even vertical illumination with minimal source brightness.
- Rotatable Lensed Wall Wash** - Rotatable Lensed wall wash reflector offered in single and double wall wash provides even vertical illumination with minimal source brightness.

Trim Retention

- Two torsion springs hold reflector flange tightly to the finished ceiling surface

Plaster Frame/Collar

- Die-cast aluminum 1 1/2" deep collar
- Accommodates up to 2" ceiling thickness

Universal Mounting Bracket

- Accepts 1/2" Electric Metallic Tube (EMT), C-channel and bar hangers
- Adjusts 5" vertically from above and below the ceiling

Junction box

- Four 1/2" and two 3/4" trade size pry outs positioned to allow straight conduit runs
- Lever connectors for simple push in wiring
- Listed for eight #12 AWG (four in, four out) 90°C conductors and feed thru branch wiring

Thermal

- Aluminum heat sink conducts heat away from the LED module for improved performance and longer life

LED System

- Contains a plurality of high brightness white LED's combined with a high reflectance upper reflector and convex transitional lens producing even distribution without pixilation
- Auto resetting, thermally protected, LED's are turned off when safe operating temperatures are exceeded
- Quick disconnect allows for tool-less replacement of LED engine from below ceiling

- 90 and 97 CRI
- 90 & 97CRI: L78 55,000 hours for 1000-2000 lumens, L90 55,000 for all other lumen output
- Color variation within 2-step MacAdam ellipses
- Available in 2400K, 2700K, 3000K, 3500K, 4000K and 5000K correlated color temperature (CCT)

Vividtune and High CRI

- 98 CRI and W2N: L70 55,000 hours
- D2W™ – dim-to-warm shifts CCT from 3000K to 1850K as fixture dims mimicking halogen sources.
- W2N - Tunable white CCT range 2700K to 6500K or 2000K to 5000K, 90 CRI. Standard
- 98 CRI** With a full-spectrum approach using broad-blue chip technology and special phosphor blends, Thrive is able to closely match the spectrum of the sun across all color temperatures. Benefits of the natural spectrum of the sun using Thrive include superior accurate color rendering, reduced eye strain, and a higher sense of emotional well-being.
- See dedicated specification sheet for more details.

Driver

- Standard 120-277V 0-10V dimming driver provides flicker free dimming from 100% to 1%
- Optional 120V leading edge/0-10V, <1% 0-10V, Fifth Light, DMX or Lutron® Ecosystem
- Driver can be serviced from above or through the aperture
- Distributed low voltage power system combines power, lighting, and controls with ease of installation.
- Optional magnetically guided snap in driver for ease of maintenance.

Emergency Option

- Provides 90 minutes of standby lighting, meeting most life safety codes for egress lighting
- Available with integral or remote charge indicator and test switch
- Available Self-Test with remote charge indicator and test switch
- Emergency transfer device (ETRD) senses the loss of power regardless of local control settings allowing emergency power to the fixture.
- UL 924 listed

Connected Lighting System

Two WaveLinX connected solutions to choose from. Refer to WaveLinX system specifications and application guides for details.

WaveLinX PRO Tilemount Sensor Kit

- WaveLinX WPST tilemount sensor kit offers daylight dimming, PIR motion sensing, scene and zone configuration, automatic commissioning; and optional RLTS - Real Time Location Services available.

WaveLinX PRO Wireless Node

- WaveLinX PRO wireless node provides luminaire-level control with scene and zone configuration without an integrated sensor; Connects wirelessly with daylight dimming sensor and PIR motion sensor if desired. Use with 0-10V driver only.

WaveLinX LITE Tilemount Sensor Kit

- WaveLinX LITE WLST tilemount sensor kit offers daylight dimming and PIR motion sensing, scene and grouping configuration.

WaveLinX Tilemount Kits Application

- The WPST and WLST tilemount kits include a control module mounted on the luminaire junction box via 1/2" knock-out, and a tilemount sensor on 54-inch whip; for ceiling installation by direct-mount spring clips or via mounting bracket in octagon ceiling boxes.
- The WPST and WLST tilemount kits may be ordered as factory installed on the luminaire, or ordered separately as a field installed accessory kit.

Code Compliance

- Thermally protected
- cULus Certified to UL 1598 / C22.2 No. 250.0 suitable for wet locations with downlight; damp location with wall wash and hyperbolic with covered ceiling
- IP66 rated when used with IP66 gasket kit accessory
- Optional City of Chicago environmental air (CCEA) marking for plenum applications
- FCC CFR Title 47 Part 15 Class B at 120VAC and Class A at 277VAC
- Insulated ceiling (IC) rated up to 1,500 lumens (90 and 97CRI). All others are non-IC rated (insulation must be kept 3" from top and sides of housing).
- Can be used for State of California Title 24 high efficacy LED compliance under JA8, reference Modernized Appliance Efficiency Database System (MAEDBS) for 2016 JA8 High Efficacy Lighting
- RoHS compliant
- Photometric testing completed in accordance with IES LM-79
- LED life testing completed in accordance with IES LM-80-08 and TM-21-11 standards
- See table on page 3 for marked spacing requirements

Warranty

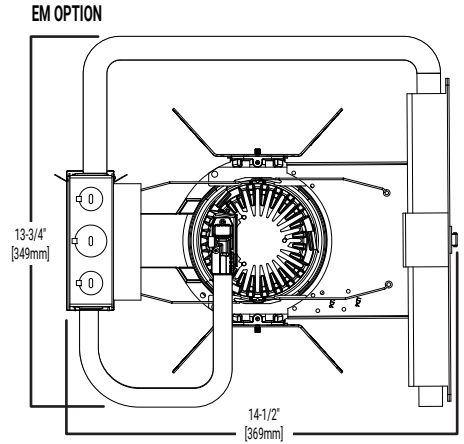
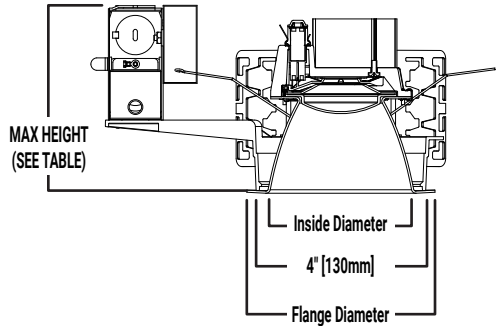
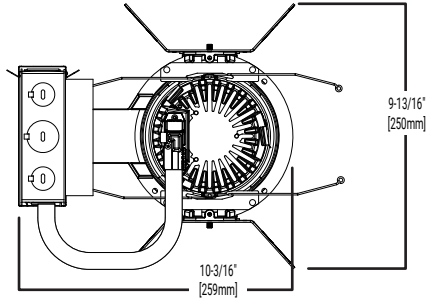
- Five year warranty www.cooperlighting.com/legal

Marked Spacing

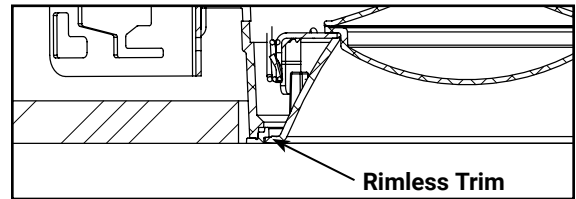
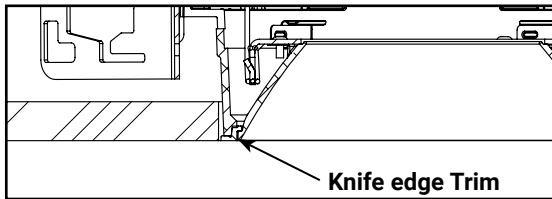
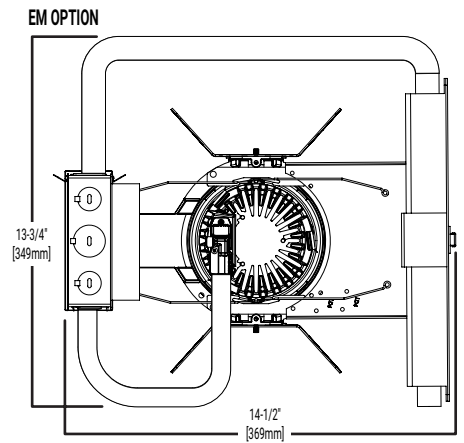
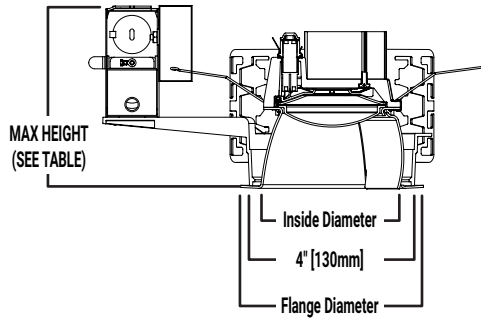
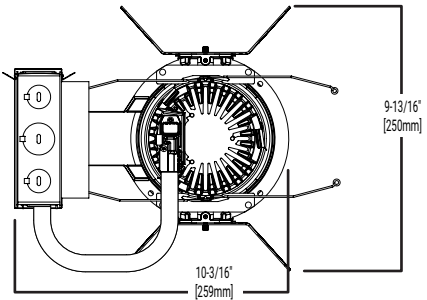
4-inch Marked spacing for 90 and 97 CRI			
4000	36	36	0.5
4000-7500 (Lutron)	36	36	8
4500-7500	36	36	8

Dimensional and Mounting Details

DOWNLIGHT



WALL WASH



CATALOG #	Flange DIAMETER or WIDTH [IN]	INSIDE DIAMETER or WIDTH [IN]	MAX HEIGHT				
			250-2000 LUMENS (90/97CRI)	2500-4000 LUMENS (90/97CRI)	4500-6000 LUMENS (90/97CRI)	1000-1500IC LUMENS (90/97CRI) 6500-7000 LUMENS (90/97CRI)	2 LEDs 4500-7500 LUMENS (90/97CRI)
4LBN	5.67	4.24	5.6	5.6	5.6	6.1	8.1
4LBM	5.67	4.26	5.6	5.6	5.6	6.1	8.1
4LBW	5.67	4.27	5.6	5.6	5.6	5.7	7.7
4LBBA	5.67	4.28	5.6	5.6	5.6	6.1	8.1
4LBMD	5.67	4.26	5.8	5.9	6.4	6.9	8.9
4LBHY	5.67	4.34	5.6	5.6	5.6	6.1	8.1
4LBS	5.67	4.23	5.6	5.6	5.6	5.6	6.4
4LBPS	5.67	4.23	5.6	5.6	5.6	5.6	6.5
4LBCS	5.67	4.23	5.6	5.6	5.6	5.6	6.5

4LB SWN	5.67	4.27	5.6	5.6	5.6	5.7	7.7
4LB DWN	5.67	4.27	5.6	5.6	5.6	5.7	7.7
4LB CW	5.67	4.01	5.6	5.6	5.6	5.7	7.7
4LB LSWW	5.67	4.27	5.6	5.6	5.6	5.7	7.7
4LB LDWW	5.67	4.27	5.6	5.6	5.6	5.7	7.7

Energy and Performance Data

D010 DRIVER ENERGY DATA

Series	250 lumen		500 lumen		800 lumen		1000 lumen		1500 lumen		2000 lumen	
Input Voltage 120-277VAC	120V	277V	120V	277V	120V	277V	120V	277V	120V	277V	120V	277V
Input Current (A)	0.029	0.017	0.061	0.032	0.085	0.041	0.084	0.042	0.135	0.063	0.189	0.084
Input Power (W)	3.45	3.87	7.33	7.78	10.15	10.52	10.04	10.43	16.17	16.56	22.58	22.63
In-rush (A)	2.1	8.5	3.7	8.5	3.6	8.3	3.6	8.4	2.3	9.5	2.1	9.7
Inrush duration (µs)	250	131	190	136	220	135	226	136	230	125	243	132
THDi (%)	7.21	16.92	7.82	10.78	5.57	9.63	7.78	9.24	4.75	9.93	8.03	7.44
PF	≥ 0.98	≥ 0.9	≥ 0.99	≥ 0.93	≥ 0.99	≥ 0.95	≥ 0.99	≥ 0.95	≥ 0.99	≥ 0.94	≥ 0.99	≥ 0.96

Series	2500 lumen		3000 lumen		3500 lumen		4000 lumen		4500 lumen		5000 lumen	
Input Voltage 120-277VAC	120V	277V	120V	277V	120V	277V	120V	277V	120V	277V	120V	277V
Input Current (A)	0.276	0.121	0.276	0.121	0.333	0.152	0.404	0.181	0.421	0.192	0.491	0.216
Input Power (W)	32.98	32.57	32	32.57	39.83	39.84	48.38	47.94	50.22	50.17	58.69	58.01
In-rush (A)	2.5	11.8	3.6	11.8	3.1	14.3	3.1	14.5	5.6	22.6	5.6	22.6
Inrush duration (µs)	215	111	220	111	200	94	197	95	215	120	213	135
THDi (%)	9.86	6.57	5.57	6.57	4.25	10.05	5.02	7.97	6.12	8.35	8.51	7.92
PF	≥ 0.99	≥ 0.97	≥ 0.99	≥ 0.99	≥ 0.99	≥ 0.94	≥ 0.99	≥ 0.95	≥ 0.99	≥ 0.95	≥ 0.99	≥ 0.96

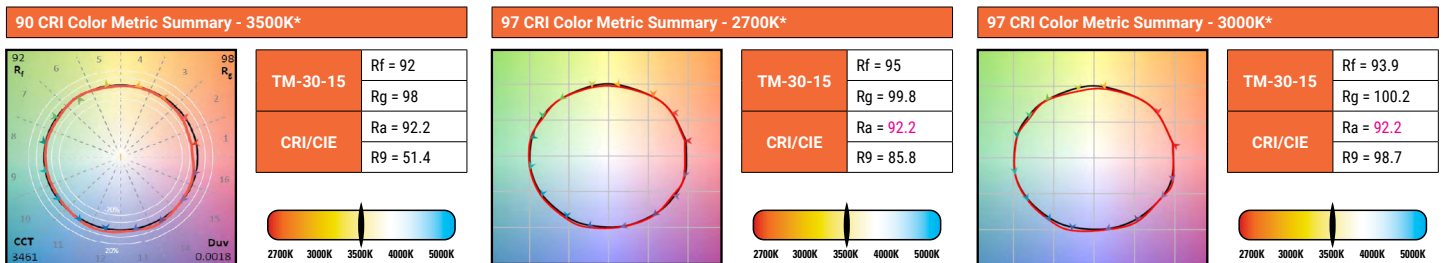
Series	5500 lumen		6000 lumen		6500 lumen		7000 lumen		7500 lumen	
Input Voltage 120-277VAC	120V	277V	120V	277V	120V	277V	120V	277V	120V	277V
Input Current (A)	0.526	0.231	0.542	0.256	0.572	0.266	0.632	0.292	0.668	0.306
Input Power (W)	62.97	61.97	64.88	65.7	68.35	69.02	75.56	75.85	79.89	80.09
In-rush (A)	5.1	23.1	6.2	27.5	6.3	28.4	6.4	29.1	6.4	28.7
Inrush duration (µs)	217	138	188	101	189	92	187	90	185	100
THDi (%)	9.42	7.16	4.33	11.86	4.38	11.33	4.84	10.32	4.46	9.85
PF	≥ 0.99	≥ 0.96	≥ 0.99	≥ 0.93	≥ 0.99	≥ 0.93	≥ 0.99	≥ 0.94	≥ 0.99	≥ 0.94

Minimum starting temperature -30°C (-22°F)*
(Nominal input 120-277VAC & 100% of rated output power)

Sound Rating: Class A standards

Notes:
Emergency Battery packs are rated for a minimum starting temperature of 0°C.

COLOR METRICS - TM-30-15 & CRI/CIE



* Color values are based on haze reflector, other finishes and field results may vary.

Photometric Data

[View IES files](#)

MEDIUM BEAM 50° CUTOFF 65° BEAM (H)	CANDLEPOWER DISTRIBUTION	CONE OF LIGHT	CANDELA TABLE	ZONAL LUMEN SUMMARY	LUMINANCE																																																																																			
Test Number P571636 Housing LD4C15D010 Module EU4C10209035 Trim 4LBMH Lumens 1178 Efficacy 74.6 Lm/W SC 0.95 UGR 11.9	Downlight 	 <table border="1"> <thead> <tr> <th>D</th> <th>FC</th> <th>L</th> <th>W</th> </tr> </thead> <tbody> <tr><td>4'</td><td>73</td><td>3.6</td><td>3.6</td></tr> <tr><td>7'</td><td>23.8</td><td>6.6</td><td>6.6</td></tr> <tr><td>9'</td><td>14.4</td><td>8.4</td><td>8.4</td></tr> <tr><td>13'</td><td>6.9</td><td>12.2</td><td>12.2</td></tr> <tr><td>16'</td><td>4.6</td><td>15</td><td>15</td></tr> </tbody> </table>	D	FC	L	W	4'	73	3.6	3.6	7'	23.8	6.6	6.6	9'	14.4	8.4	8.4	13'	6.9	12.2	12.2	16'	4.6	15	15	<table border="1"> <thead> <tr> <th>Degrees Vertical</th> <th>Candela</th> </tr> </thead> <tbody> <tr><td>0</td><td>1168</td></tr> <tr><td>5</td><td>1147</td></tr> <tr><td>15</td><td>1006</td></tr> <tr><td>25</td><td>800</td></tr> <tr><td>35</td><td>437</td></tr> <tr><td>45</td><td>135</td></tr> <tr><td>55</td><td>32</td></tr> <tr><td>65</td><td>9</td></tr> <tr><td>75</td><td>2</td></tr> <tr><td>85</td><td>0</td></tr> <tr><td>90</td><td>0</td></tr> </tbody> </table>	Degrees Vertical	Candela	0	1168	5	1147	15	1006	25	800	35	437	45	135	55	32	65	9	75	2	85	0	90	0	<table border="1"> <thead> <tr> <th>Zone</th> <th>Lumens</th> <th>% Fixture</th> </tr> </thead> <tbody> <tr><td>0-30</td><td>752</td><td>63.8</td></tr> <tr><td>0-40</td><td>1024</td><td>87</td></tr> <tr><td>0-60</td><td>1165</td><td>98.9</td></tr> <tr><td>0-90</td><td>1178</td><td>100</td></tr> <tr><td>90-180</td><td>0</td><td>0</td></tr> <tr><td>0-180</td><td>1178</td><td>100</td></tr> </tbody> </table>	Zone	Lumens	% Fixture	0-30	752	63.8	0-40	1024	87	0-60	1165	98.9	0-90	1178	100	90-180	0	0	0-180	1178	100	<table border="1"> <thead> <tr> <th>Average Candela Degrees</th> <th>Average 0° Luminance</th> </tr> </thead> <tbody> <tr><td>37</td><td>55459</td></tr> <tr><td>45</td><td>23472</td></tr> <tr><td>55</td><td>6854</td></tr> <tr><td>65</td><td>2587</td></tr> <tr><td>75</td><td>854</td></tr> <tr><td>85</td><td>0</td></tr> </tbody> </table>	Average Candela Degrees	Average 0° Luminance	37	55459	45	23472	55	6854	65	2587	75	854	85	0
D	FC	L	W																																																																																					
4'	73	3.6	3.6																																																																																					
7'	23.8	6.6	6.6																																																																																					
9'	14.4	8.4	8.4																																																																																					
13'	6.9	12.2	12.2																																																																																					
16'	4.6	15	15																																																																																					
Degrees Vertical	Candela																																																																																							
0	1168																																																																																							
5	1147																																																																																							
15	1006																																																																																							
25	800																																																																																							
35	437																																																																																							
45	135																																																																																							
55	32																																																																																							
65	9																																																																																							
75	2																																																																																							
85	0																																																																																							
90	0																																																																																							
Zone	Lumens	% Fixture																																																																																						
0-30	752	63.8																																																																																						
0-40	1024	87																																																																																						
0-60	1165	98.9																																																																																						
0-90	1178	100																																																																																						
90-180	0	0																																																																																						
0-180	1178	100																																																																																						
Average Candela Degrees	Average 0° Luminance																																																																																							
37	55459																																																																																							
45	23472																																																																																							
55	6854																																																																																							
65	2587																																																																																							
75	854																																																																																							
85	0																																																																																							

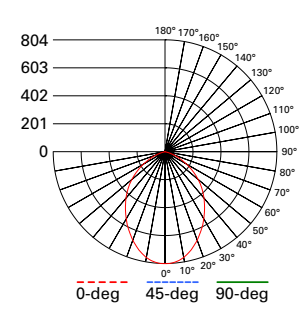
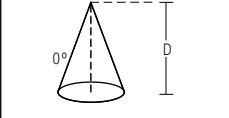
MEDIUM BEAM 50° CUTOFF 45° BEAM (LI)	CANDLEPOWER DISTRIBUTION	CONE OF LIGHT	CANDELA TABLE	ZONAL LUMEN SUMMARY	LUMINANCE																																																																																			
Test Number P571637 Housing LD4C15D010 Module EU4C10209035 Trim 4LBMLI Lumens 1469 Efficacy 93 Lm/W SC 0.48 UGR 0	Downlight 	 <table border="1"> <thead> <tr> <th>D</th> <th>FC</th> <th>L</th> <th>W</th> </tr> </thead> <tbody> <tr><td>4'</td><td>236.3</td><td>1.8</td><td>1.8</td></tr> <tr><td>7'</td><td>77.2</td><td>3.2</td><td>3.2</td></tr> <tr><td>9'</td><td>46.7</td><td>4.2</td><td>4.2</td></tr> <tr><td>13'</td><td>22.4</td><td>6.2</td><td>6.2</td></tr> <tr><td>16'</td><td>14.8</td><td>7.6</td><td>7.6</td></tr> </tbody> </table>	D	FC	L	W	4'	236.3	1.8	1.8	7'	77.2	3.2	3.2	9'	46.7	4.2	4.2	13'	22.4	6.2	6.2	16'	14.8	7.6	7.6	<table border="1"> <thead> <tr> <th>Degrees Vertical</th> <th>Candela</th> </tr> </thead> <tbody> <tr><td>0</td><td>3780</td></tr> <tr><td>5</td><td>3389</td></tr> <tr><td>15</td><td>1844</td></tr> <tr><td>25</td><td>873</td></tr> <tr><td>35</td><td>339</td></tr> <tr><td>45</td><td>38</td></tr> <tr><td>55</td><td>2</td></tr> <tr><td>65</td><td>2</td></tr> <tr><td>75</td><td>0</td></tr> <tr><td>85</td><td>0</td></tr> <tr><td>90</td><td>0</td></tr> </tbody> </table>	Degrees Vertical	Candela	0	3780	5	3389	15	1844	25	873	35	339	45	38	55	2	65	2	75	0	85	0	90	0	<table border="1"> <thead> <tr> <th>Zone</th> <th>Lumens</th> <th>% Fixture</th> </tr> </thead> <tbody> <tr><td>0-30</td><td>1213</td><td>82.6</td></tr> <tr><td>0-40</td><td>1428</td><td>97.2</td></tr> <tr><td>0-60</td><td>1468</td><td>99.9</td></tr> <tr><td>0-90</td><td>1469</td><td>100</td></tr> <tr><td>90-180</td><td>0</td><td>0</td></tr> <tr><td>0-180</td><td>1469</td><td>100</td></tr> </tbody> </table>	Zone	Lumens	% Fixture	0-30	1213	82.6	0-40	1428	97.2	0-60	1468	99.9	0-90	1469	100	90-180	0	0	0-180	1469	100	<table border="1"> <thead> <tr> <th>Average Candela Degrees</th> <th>Average 0° Luminance</th> </tr> </thead> <tbody> <tr><td>37</td><td>38008</td></tr> <tr><td>45</td><td>6672</td></tr> <tr><td>55</td><td>493</td></tr> <tr><td>65</td><td>669</td></tr> <tr><td>75</td><td>0</td></tr> <tr><td>85</td><td>0</td></tr> </tbody> </table>	Average Candela Degrees	Average 0° Luminance	37	38008	45	6672	55	493	65	669	75	0	85	0
D	FC	L	W																																																																																					
4'	236.3	1.8	1.8																																																																																					
7'	77.2	3.2	3.2																																																																																					
9'	46.7	4.2	4.2																																																																																					
13'	22.4	6.2	6.2																																																																																					
16'	14.8	7.6	7.6																																																																																					
Degrees Vertical	Candela																																																																																							
0	3780																																																																																							
5	3389																																																																																							
15	1844																																																																																							
25	873																																																																																							
35	339																																																																																							
45	38																																																																																							
55	2																																																																																							
65	2																																																																																							
75	0																																																																																							
85	0																																																																																							
90	0																																																																																							
Zone	Lumens	% Fixture																																																																																						
0-30	1213	82.6																																																																																						
0-40	1428	97.2																																																																																						
0-60	1468	99.9																																																																																						
0-90	1469	100																																																																																						
90-180	0	0																																																																																						
0-180	1469	100																																																																																						
Average Candela Degrees	Average 0° Luminance																																																																																							
37	38008																																																																																							
45	6672																																																																																							
55	493																																																																																							
65	669																																																																																							
75	0																																																																																							
85	0																																																																																							

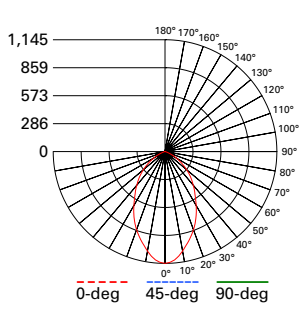
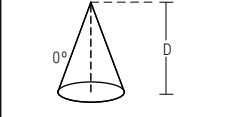
NARROW 55° BEAM (H)	CANDLEPOWER DISTRIBUTION	CONE OF LIGHT	CANDELA TABLE	ZONAL LUMEN SUMMARY	LUMINANCE																																																																																			
Test Number P571638 Housing LD4C15D010 Module EU4C10209035 Trim 4LBNH Lumens 979 Efficacy 62 Lm/W SC 0.81 UGR 8.2	Downlight 	 <table border="1"> <thead> <tr> <th>D</th> <th>FC</th> <th>L</th> <th>W</th> </tr> </thead> <tbody> <tr><td>4'</td><td>76.8</td><td>3.2</td><td>3.2</td></tr> <tr><td>7'</td><td>25.1</td><td>5.6</td><td>5.6</td></tr> <tr><td>9'</td><td>15.2</td><td>7.2</td><td>7.2</td></tr> <tr><td>13'</td><td>7.3</td><td>10.4</td><td>10.4</td></tr> <tr><td>16'</td><td>4.8</td><td>12.8</td><td>12.8</td></tr> </tbody> </table>	D	FC	L	W	4'	76.8	3.2	3.2	7'	25.1	5.6	5.6	9'	15.2	7.2	7.2	13'	7.3	10.4	10.4	16'	4.8	12.8	12.8	<table border="1"> <thead> <tr> <th>Degrees Vertical</th> <th>Candela</th> </tr> </thead> <tbody> <tr><td>0</td><td>1229</td></tr> <tr><td>5</td><td>1197</td></tr> <tr><td>15</td><td>963</td></tr> <tr><td>25</td><td>685</td></tr> <tr><td>35</td><td>332</td></tr> <tr><td>45</td><td>67</td></tr> <tr><td>55</td><td>16</td></tr> <tr><td>65</td><td>5</td></tr> <tr><td>75</td><td>2</td></tr> <tr><td>85</td><td>0</td></tr> <tr><td>90</td><td>0</td></tr> </tbody> </table>	Degrees Vertical	Candela	0	1229	5	1197	15	963	25	685	35	332	45	67	55	16	65	5	75	2	85	0	90	0	<table border="1"> <thead> <tr> <th>Zone</th> <th>Lumens</th> <th>% Fixture</th> </tr> </thead> <tbody> <tr><td>0-30</td><td>692</td><td>70.7</td></tr> <tr><td>0-40</td><td>899</td><td>91.8</td></tr> <tr><td>0-60</td><td>972</td><td>99.2</td></tr> <tr><td>0-90</td><td>979</td><td>100</td></tr> <tr><td>90-180</td><td>0</td><td>0</td></tr> <tr><td>0-180</td><td>979</td><td>100</td></tr> </tbody> </table>	Zone	Lumens	% Fixture	0-30	692	70.7	0-40	899	91.8	0-60	972	99.2	0-90	979	100	90-180	0	0	0-180	979	100	<table border="1"> <thead> <tr> <th>Average Candela Degrees</th> <th>Average 0° Luminance</th> </tr> </thead> <tbody> <tr><td>37</td><td>39457</td></tr> <tr><td>45</td><td>11710</td></tr> <tr><td>55</td><td>3406</td></tr> <tr><td>65</td><td>1541</td></tr> <tr><td>75</td><td>854</td></tr> <tr><td>85</td><td>0</td></tr> </tbody> </table>	Average Candela Degrees	Average 0° Luminance	37	39457	45	11710	55	3406	65	1541	75	854	85	0
D	FC	L	W																																																																																					
4'	76.8	3.2	3.2																																																																																					
7'	25.1	5.6	5.6																																																																																					
9'	15.2	7.2	7.2																																																																																					
13'	7.3	10.4	10.4																																																																																					
16'	4.8	12.8	12.8																																																																																					
Degrees Vertical	Candela																																																																																							
0	1229																																																																																							
5	1197																																																																																							
15	963																																																																																							
25	685																																																																																							
35	332																																																																																							
45	67																																																																																							
55	16																																																																																							
65	5																																																																																							
75	2																																																																																							
85	0																																																																																							
90	0																																																																																							
Zone	Lumens	% Fixture																																																																																						
0-30	692	70.7																																																																																						
0-40	899	91.8																																																																																						
0-60	972	99.2																																																																																						
0-90	979	100																																																																																						
90-180	0	0																																																																																						
0-180	979	100																																																																																						
Average Candela Degrees	Average 0° Luminance																																																																																							
37	39457																																																																																							
45	11710																																																																																							
55	3406																																																																																							
65	1541																																																																																							
75	854																																																																																							
85	0																																																																																							

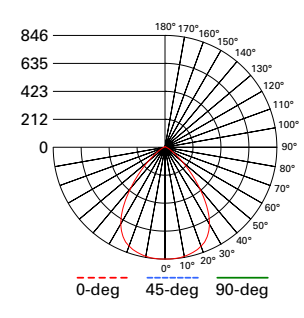
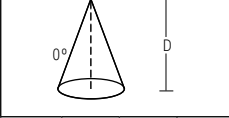
NARROW 30° BEAM (LI)	CANDLEPOWER DISTRIBUTION	CONE OF LIGHT	CANDELA TABLE	ZONAL LUMEN SUMMARY	LUMINANCE																																																																																			
Test Number P571639 Housing LD4C15D010 Module EU4C10209035 Trim 4LBNLI Lumens 1153 Efficacy 73 Lm/W SC 0.48 UGR 0	Downlight 	 <table border="1"> <thead> <tr> <th>D</th> <th>FC</th> <th>L</th> <th>W</th> </tr> </thead> <tbody> <tr><td>4'</td><td>185.4</td><td>1.8</td><td>1.8</td></tr> <tr><td>7'</td><td>60.6</td><td>3.2</td><td>3.2</td></tr> <tr><td>9'</td><td>36.6</td><td>4.2</td><td>4.2</td></tr> <tr><td>13'</td><td>17.6</td><td>6.2</td><td>6.2</td></tr> <tr><td>16'</td><td>11.6</td><td>7.6</td><td>7.6</td></tr> </tbody> </table>	D	FC	L	W	4'	185.4	1.8	1.8	7'	60.6	3.2	3.2	9'	36.6	4.2	4.2	13'	17.6	6.2	6.2	16'	11.6	7.6	7.6	<table border="1"> <thead> <tr> <th>Degrees Vertical</th> <th>Candela</th> </tr> </thead> <tbody> <tr><td>0</td><td>2967</td></tr> <tr><td>5</td><td>2660</td></tr> <tr><td>15</td><td>1447</td></tr> <tr><td>25</td><td>685</td></tr> <tr><td>35</td><td>266</td></tr> <tr><td>45</td><td>30</td></tr> <tr><td>55</td><td>2</td></tr> <tr><td>65</td><td>2</td></tr> <tr><td>75</td><td>0</td></tr> <tr><td>85</td><td>0</td></tr> <tr><td>90</td><td>0</td></tr> </tbody> </table>	Degrees Vertical	Candela	0	2967	5	2660	15	1447	25	685	35	266	45	30	55	2	65	2	75	0	85	0	90	0	<table border="1"> <thead> <tr> <th>Zone</th> <th>Lumens</th> <th>% Fixture</th> </tr> </thead> <tbody> <tr><td>0-30</td><td>952</td><td>82.6</td></tr> <tr><td>0-40</td><td>1121</td><td>97.2</td></tr> <tr><td>0-60</td><td>1152</td><td>99.9</td></tr> <tr><td>0-90</td><td>1153</td><td>100</td></tr> <tr><td>90-180</td><td>0</td><td>0</td></tr> <tr><td>0-180</td><td>1153</td><td>100</td></tr> </tbody> </table>	Zone	Lumens	% Fixture	0-30	952	82.6	0-40	1121	97.2	0-60	1152	99.9	0-90	1153	100	90-180	0	0	0-180	1153	100	<table border="1"> <thead> <tr> <th>Average Candela Degrees</th> <th>Average 0° Luminance</th> </tr> </thead> <tbody> <tr><td>37</td><td>29831</td></tr> <tr><td>45</td><td>5247</td></tr> <tr><td>55</td><td>386</td></tr> <tr><td>65</td><td>523</td></tr> <tr><td>75</td><td>0</td></tr> <tr><td>85</td><td>0</td></tr> </tbody> </table>	Average Candela Degrees	Average 0° Luminance	37	29831	45	5247	55	386	65	523	75	0	85	0
D	FC	L	W																																																																																					
4'	185.4	1.8	1.8																																																																																					
7'	60.6	3.2	3.2																																																																																					
9'	36.6	4.2	4.2																																																																																					
13'	17.6	6.2	6.2																																																																																					
16'	11.6	7.6	7.6																																																																																					
Degrees Vertical	Candela																																																																																							
0	2967																																																																																							
5	2660																																																																																							
15	1447																																																																																							
25	685																																																																																							
35	266																																																																																							
45	30																																																																																							
55	2																																																																																							
65	2																																																																																							
75	0																																																																																							
85	0																																																																																							
90	0																																																																																							
Zone	Lumens	% Fixture																																																																																						
0-30	952	82.6																																																																																						
0-40	1121	97.2																																																																																						
0-60	1152	99.9																																																																																						
0-90	1153	100																																																																																						
90-180	0	0																																																																																						
0-180	1153	100																																																																																						
Average Candela Degrees	Average 0° Luminance																																																																																							
37	29831																																																																																							
45	5247																																																																																							
55	386																																																																																							
65	523																																																																																							
75	0																																																																																							
85	0																																																																																							

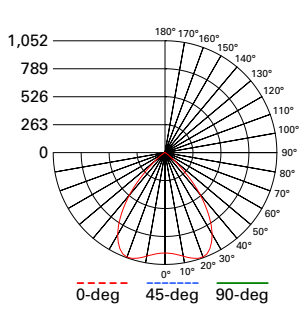
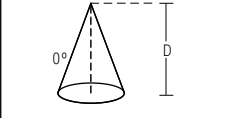
Photometric Data

[View IES files](#)

SHALLOW 85° BEAM (H)		CANDLEPOWER DISTRIBUTION				CONE OF LIGHT				CANDELA TABLE		ZONAL LUMEN SUMMARY			LUMINANCE	
Test Number	P571640	Downlight 								Degrees Vertical	Candela	Zone	Lumens	% Fixture	Average Candela Degrees	Average 0° Luminance
Housing	LD4C15D010									0	804	0-30	565	36.7	37	72577
Module	EU4B10209035									5	798	0-40	875	56.9	45	65309
Trim	4LBSH									15	730	0-60	1384	90	55	52605
Lumens	1538									25	618	0-90	1538	100	65	34942
Efficacy	97.3 Lm/W									35	496	90-180	0	0	75	13670
SC	1.06									45	376	0-180	1538	100	85	0
UGR	26.5									55	246					
										65	120					
										75	29					
										85	0					
										90	0					

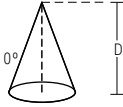
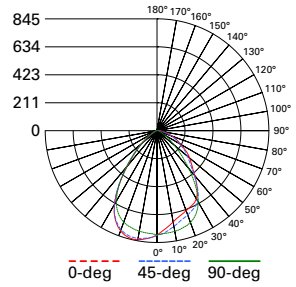
SHALLOW 65° BEAM (LI)		CANDLEPOWER DISTRIBUTION				CONE OF LIGHT				CANDELA TABLE		ZONAL LUMEN SUMMARY			LUMINANCE	
Test Number	P571641	Downlight 								Degrees Vertical	Candela	Zone	Lumens	% Fixture	Average Candela Degrees	Average 0° Luminance
Housing	LD4C15D010									0	1145	0-30	712	44.4	37	77201
Module	EU4C10209035									5	1115	0-40	1048	65.3	45	64475
Trim	4LBSLI									15	945	0-60	1520	94.8	55	44508
Lumens	1604									25	749	0-90	1604	100	65	21163
Efficacy	101.5 Lm/W									35	534	90-180	0	0	75	1709
SC	0.91									45	371	0-180	1604	100	85	0
UGR	23.9									55	208					
										65	73					
										75	4					
										85	0					
										90	0					

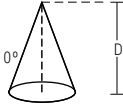
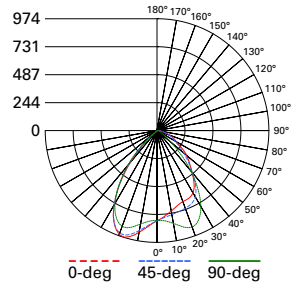
WIDE 80° BEAM (H)		CANDLEPOWER DISTRIBUTION				CONE OF LIGHT				CANDELA TABLE		ZONAL LUMEN SUMMARY			LUMINANCE	
Test Number	P571642	Downlight 								Degrees Vertical	Candela	Zone	Lumens	% Fixture	Average Candela Degrees	Average 0° Luminance
Housing	LD4C15D010									0	844	0-30	653	49.9	37	75186
Module	EU4C10209035									5	844	0-40	991	75.7	45	45989
Trim	4LBWH									15	821	0-60	1276	97.5	55	17885
Lumens	1309									25	748	0-90	1309	100	65	6715
Efficacy	82.8 Lm/W									35	547	90-180	0	0	75	3370
SC	1.18									45	265	0-180	1309	100	85	0
UGR	17.9									55	84					
										65	23					
										75	7					
										85	0					
										90	0					

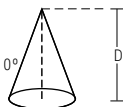
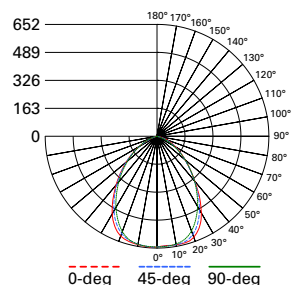
WIDE 80° BEAM (LI)		CANDLEPOWER DISTRIBUTION				CONE OF LIGHT				CANDELA TABLE		ZONAL LUMEN SUMMARY			LUMINANCE	
Test Number	P571643	Downlight 								Degrees Vertical	Candela	Zone	Lumens	% Fixture	Average Candela Degrees	Average 0° Luminance
Housing	LD4C15D010									0	950	0-30	844	54.4	37	-
Module	EU4C10209035									5	963	0-40	1289	83.1	45	-
Trim	4LBWLI									15	1036	0-60	1546	99.7	55	-
Lumens	1551									25	1005	0-90	1551	100	65	-
Efficacy	98.2 Lm/W									35	723	90-180	0	0	75	-
SC	1.29									45	279	0-180	1551	100	85	-
UGR	6.9									55	28					
										65	4					
										75	2					
										85	0					
										90	0					

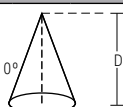
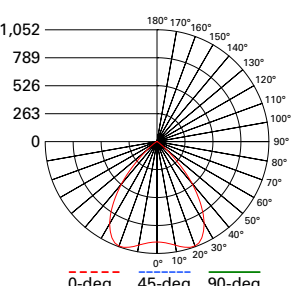
Photometric Data

[View IES files](#)

SINGLE WALL WASH (H)		CANDLEPOWER DISTRIBUTION				CONE OF LIGHT				CANDELA TABLE		ZONAL LUMEN SUMMARY			LUMINANCE																									
Test Number	P571644	Downlight								Degrees Vertical	Candela	Zone	Lumens	% Fixture	Average Candela Degrees	Average 0° Luminance																								
Housing	LD4C15D010					<table border="1"> <thead> <tr> <th>D</th> <th>FC</th> <th>L</th> <th>W</th> </tr> </thead> <tbody> <tr><td>4'</td><td>51</td><td>4.4</td><td>4.6</td></tr> <tr><td>7'</td><td>16.6</td><td>7.9</td><td>8</td></tr> <tr><td>9'</td><td>10.1</td><td>10.1</td><td>10.2</td></tr> <tr><td>13'</td><td>4.8</td><td>14.7</td><td>15</td></tr> <tr><td>16'</td><td>3.2</td><td>18.1</td><td>18.4</td></tr> </tbody> </table>				D	FC	L	W	4'	51	4.4	4.6	7'	16.6	7.9	8	9'	10.1	10.1	10.2	13'	4.8	14.7	15	16'	3.2	18.1	18.4	0	793	0-30	608	43.8	37	75835
D	FC	L	W																																					
4'	51	4.4	4.6																																					
7'	16.6	7.9	8																																					
9'	10.1	10.1	10.2																																					
13'	4.8	14.7	15																																					
16'	3.2	18.1	18.4																																					
Module	EU4C10209035									5	746	0-40	928	66.7	45	64441																								
Trim	4LCSWH									15	669	0-60	1283	92.3	55	56032																								
Lumens	1390									25	625	0-90	1390	100	65	46337																								
Efficacy	88 Lm/W									35	527	90-180	0	0	75	34936																								
SC	1.17									45	371	0-180	1390	100	85	24527																								
UGR	29.6									55	262																													
										65	159																													
										75	74																													
										85	17																													
										90	0																													

SINGLE WALL WASH (LI)		CANDLEPOWER DISTRIBUTION				CONE OF LIGHT				CANDELA TABLE		ZONAL LUMEN SUMMARY			LUMINANCE																									
Test Number	P571645	Downlight								Degrees Vertical	Candela	Zone	Lumens	% Fixture	Average Candela Degrees	Average 0° Luminance																								
Housing	LD4C15D010					<table border="1"> <thead> <tr> <th>D</th> <th>FC</th> <th>L</th> <th>W</th> </tr> </thead> <tbody> <tr><td>4'</td><td>54.2</td><td>4.5</td><td>4.8</td></tr> <tr><td>7'</td><td>17.7</td><td>8</td><td>8.6</td></tr> <tr><td>9'</td><td>10.7</td><td>10.3</td><td>11</td></tr> <tr><td>13'</td><td>5.1</td><td>14.9</td><td>16</td></tr> <tr><td>16'</td><td>3.4</td><td>18.4</td><td>19.6</td></tr> </tbody> </table>				D	FC	L	W	4'	54.2	4.5	4.8	7'	17.7	8	8.6	9'	10.7	10.3	11	13'	5.1	14.9	16	16'	3.4	18.4	19.6	0	783	0-30	680	47.1	37	78745
D	FC	L	W																																					
4'	54.2	4.5	4.8																																					
7'	17.7	8	8.6																																					
9'	10.7	10.3	11																																					
13'	5.1	14.9	16																																					
16'	3.4	18.4	19.6																																					
Module	EU4C10209035									5	745	0-40	1041	72.1	45	66786																								
Trim	4LCSWLI									15	673	0-60	1362	94.2	55	50356																								
Lumens	1445									25	648	0-90	1445	100	65	41599																								
Efficacy	91.5 Lm/W									35	548	90-180	0	0	75	27151																								
SC	1.3									45	384	0-180	1445	100	85	14378																								
UGR	28.3									55	235																													
										65	143																													
										75	57																													
										85	10																													
										90	0																													

LENSED WALL WASH (LI)		CANDLEPOWER DISTRIBUTION				CONE OF LIGHT				CANDELA TABLE		ZONAL LUMEN SUMMARY			LUMINANCE																									
Test Number	P571646	Downlight								Degrees Vertical	Candela	Zone	Lumens	% Fixture	Average Candela Degrees	Average 0° Luminance																								
Housing	LD4C15D010					<table border="1"> <thead> <tr> <th>D</th> <th>FC</th> <th>L</th> <th>W</th> </tr> </thead> <tbody> <tr><td>4'</td><td>40.7</td><td>4.6</td><td>4.4</td></tr> <tr><td>7'</td><td>13.3</td><td>8.2</td><td>7.8</td></tr> <tr><td>9'</td><td>8</td><td>10.6</td><td>10</td></tr> <tr><td>13'</td><td>3.8</td><td>15.4</td><td>14.4</td></tr> <tr><td>16'</td><td>2.5</td><td>19</td><td>17.8</td></tr> </tbody> </table>				D	FC	L	W	4'	40.7	4.6	4.4	7'	13.3	8.2	7.8	9'	8	10.6	10	13'	3.8	15.4	14.4	16'	2.5	19	17.8	0	650	0-30	499	40	37	61806
D	FC	L	W																																					
4'	40.7	4.6	4.4																																					
7'	13.3	8.2	7.8																																					
9'	8	10.6	10																																					
13'	3.8	15.4	14.4																																					
16'	2.5	19	17.8																																					
Module	EU4C10209035									5	644	0-40	766	61.5	45	48248																								
Trim	4LBLWWLI									15	647	0-60	1139	91.4	55	37226																								
Lumens	1246									25	591	0-90	1246	100	65	28866																								
Efficacy	78.9 Lm/W									35	439	90-180	0	0	75	19936																								
SC	1.12									45	278	0-180	1246	100	85	4088																								
UGR	26.3									55	174																													
										65	99																													
										75	42																													
										85	3																													
										90	0																													

LENSED WALL WASH (H)		CANDLEPOWER DISTRIBUTION				CONE OF LIGHT				CANDELA TABLE		ZONAL LUMEN SUMMARY			LUMINANCE																									
Test Number	P571647	Downlight								Degrees Vertical	Candela	Zone	Lumens	% Fixture	Average Candela Degrees	Average 0° Luminance																								
Housing	LD4C15D010					<table border="1"> <thead> <tr> <th>D</th> <th>FC</th> <th>L</th> <th>W</th> </tr> </thead> <tbody> <tr><td>4'</td><td>39.7</td><td>4.5</td><td>4.2</td></tr> <tr><td>7'</td><td>13</td><td>8</td><td>7.6</td></tr> <tr><td>9'</td><td>7.8</td><td>10.2</td><td>9.8</td></tr> <tr><td>13'</td><td>3.8</td><td>14.8</td><td>14</td></tr> <tr><td>16'</td><td>2.5</td><td>18.3</td><td>17.4</td></tr> </tbody> </table>				D	FC	L	W	4'	39.7	4.5	4.2	7'	13	8	7.6	9'	7.8	10.2	9.8	13'	3.8	14.8	14	16'	2.5	18.3	17.4	0	635	0-30	471	39.4	37	62135
D	FC	L	W																																					
4'	39.7	4.5	4.2																																					
7'	13	8	7.6																																					
9'	7.8	10.2	9.8																																					
13'	3.8	14.8	14																																					
16'	2.5	18.3	17.4																																					
Module	EU4C10209035									5	639	0-40	724	60.5	45	48734																								
Trim	4LBLWWH									15	639	0-60	1084	90.6	55	37269																								
Lumens	1196									25	586	0-90	1196	100	65	29099																								
Efficacy	75.7 Lm/W									35	441	90-180	0	0	75	20268																								
SC	1.09									45	280	0-180	1196	100	85	5497																								
UGR	26.5									55	174																													
										65	100																													
										75	43																													
										85	4																													
										90	0																													

Photometric Data

[View IES files](#)

MEDIUM BEAM 45° CUTOFF 55° BEAM (H)	CANDLEPOWER DISTRIBUTION	CONE OF LIGHT	CANDELA TABLE	ZONAL LUMEN SUMMARY	LUMINANCE																																																																																			
Test Number P571648 Housing LD4C15D010 Module EU4C10209035 Trim 4LBMDH Lumens 1113 Efficacy 70.4 Lm/W SC 0.86 UGR 9.5	Downlight 	<table border="1"> <thead> <tr> <th>D</th> <th>FC</th> <th>L</th> <th>W</th> </tr> </thead> <tbody> <tr><td>4'</td><td>83.8</td><td>3.4</td><td>3.4</td></tr> <tr><td>7'</td><td>27.4</td><td>6</td><td>6</td></tr> <tr><td>9'</td><td>16.6</td><td>7.6</td><td>7.6</td></tr> <tr><td>13'</td><td>7.9</td><td>11</td><td>11</td></tr> <tr><td>16'</td><td>5.2</td><td>13.6</td><td>13.6</td></tr> </tbody> </table>	D	FC	L	W	4'	83.8	3.4	3.4	7'	27.4	6	6	9'	16.6	7.6	7.6	13'	7.9	11	11	16'	5.2	13.6	13.6	<table border="1"> <thead> <tr> <th>Degrees Vertical</th> <th>Candela</th> </tr> </thead> <tbody> <tr><td>0</td><td>1341</td></tr> <tr><td>5</td><td>1318</td></tr> <tr><td>15</td><td>1127</td></tr> <tr><td>25</td><td>791</td></tr> <tr><td>35</td><td>337</td></tr> <tr><td>45</td><td>91</td></tr> <tr><td>55</td><td>20</td></tr> <tr><td>65</td><td>7</td></tr> <tr><td>75</td><td>2</td></tr> <tr><td>85</td><td>0</td></tr> <tr><td>90</td><td>0</td></tr> </tbody> </table>	Degrees Vertical	Candela	0	1341	5	1318	15	1127	25	791	35	337	45	91	55	20	65	7	75	2	85	0	90	0	<table border="1"> <thead> <tr> <th>Zone</th> <th>Lumens</th> <th>% Fixture</th> </tr> </thead> <tbody> <tr><td>0-30</td><td>793</td><td>71.3</td></tr> <tr><td>0-40</td><td>1008</td><td>90.6</td></tr> <tr><td>0-60</td><td>1103</td><td>99.1</td></tr> <tr><td>0-90</td><td>1113</td><td>100</td></tr> <tr><td>90-180</td><td>0</td><td>0</td></tr> <tr><td>0-180</td><td>1113</td><td>100</td></tr> </tbody> </table>	Zone	Lumens	% Fixture	0-30	793	71.3	0-40	1008	90.6	0-60	1103	99.1	0-90	1113	100	90-180	0	0	0-180	1113	100	<table border="1"> <thead> <tr> <th>Average Candela Degrees</th> <th>Average 0° Luminance</th> </tr> </thead> <tbody> <tr><td>37</td><td>41780</td></tr> <tr><td>45</td><td>15758</td></tr> <tr><td>55</td><td>4284</td></tr> <tr><td>65</td><td>2064</td></tr> <tr><td>75</td><td>1044</td></tr> <tr><td>85</td><td>423</td></tr> </tbody> </table>	Average Candela Degrees	Average 0° Luminance	37	41780	45	15758	55	4284	65	2064	75	1044	85	423
D	FC	L	W																																																																																					
4'	83.8	3.4	3.4																																																																																					
7'	27.4	6	6																																																																																					
9'	16.6	7.6	7.6																																																																																					
13'	7.9	11	11																																																																																					
16'	5.2	13.6	13.6																																																																																					
Degrees Vertical	Candela																																																																																							
0	1341																																																																																							
5	1318																																																																																							
15	1127																																																																																							
25	791																																																																																							
35	337																																																																																							
45	91																																																																																							
55	20																																																																																							
65	7																																																																																							
75	2																																																																																							
85	0																																																																																							
90	0																																																																																							
Zone	Lumens	% Fixture																																																																																						
0-30	793	71.3																																																																																						
0-40	1008	90.6																																																																																						
0-60	1103	99.1																																																																																						
0-90	1113	100																																																																																						
90-180	0	0																																																																																						
0-180	1113	100																																																																																						
Average Candela Degrees	Average 0° Luminance																																																																																							
37	41780																																																																																							
45	15758																																																																																							
55	4284																																																																																							
65	2064																																																																																							
75	1044																																																																																							
85	423																																																																																							

MEDIUM BEAM 45° CUTOFF 50° BEAM (LI)	CANDLEPOWER DISTRIBUTION	CONE OF LIGHT	CANDELA TABLE	ZONAL LUMEN SUMMARY	LUMINANCE																																																																																			
Test Number P571649 Housing LD4C15D010 Module EU4C10209035 Trim 4LBMDLI Lumens 1294 Efficacy 81.9 Lm/W SC 0.84 UGR 0.4	Downlight 	<table border="1"> <thead> <tr> <th>D</th> <th>FC</th> <th>L</th> <th>W</th> </tr> </thead> <tbody> <tr><td>4'</td><td>108.2</td><td>3.2</td><td>3.2</td></tr> <tr><td>7'</td><td>35.3</td><td>5.6</td><td>5.6</td></tr> <tr><td>9'</td><td>21.4</td><td>7.4</td><td>7.4</td></tr> <tr><td>13'</td><td>10.2</td><td>10.6</td><td>10.6</td></tr> <tr><td>16'</td><td>6.8</td><td>13.2</td><td>13.2</td></tr> </tbody> </table>	D	FC	L	W	4'	108.2	3.2	3.2	7'	35.3	5.6	5.6	9'	21.4	7.4	7.4	13'	10.2	10.6	10.6	16'	6.8	13.2	13.2	<table border="1"> <thead> <tr> <th>Degrees Vertical</th> <th>Candela</th> </tr> </thead> <tbody> <tr><td>0</td><td>1700</td></tr> <tr><td>5</td><td>1751</td></tr> <tr><td>15</td><td>1545</td></tr> <tr><td>25</td><td>945</td></tr> <tr><td>35</td><td>323</td></tr> <tr><td>45</td><td>47</td></tr> <tr><td>55</td><td>6</td></tr> <tr><td>65</td><td>2</td></tr> <tr><td>75</td><td>1</td></tr> <tr><td>85</td><td>0</td></tr> <tr><td>90</td><td>0</td></tr> </tbody> </table>	Degrees Vertical	Candela	0	1700	5	1751	15	1545	25	945	35	323	45	47	55	6	65	2	75	1	85	0	90	0	<table border="1"> <thead> <tr> <th>Zone</th> <th>Lumens</th> <th>% Fixture</th> </tr> </thead> <tbody> <tr><td>0-30</td><td>1023</td><td>79.1</td></tr> <tr><td>0-40</td><td>1243</td><td>96</td></tr> <tr><td>0-60</td><td>1291</td><td>99.8</td></tr> <tr><td>0-90</td><td>1294</td><td>100</td></tr> <tr><td>90-180</td><td>0</td><td>0</td></tr> <tr><td>0-180</td><td>1294</td><td>100</td></tr> </tbody> </table>	Zone	Lumens	% Fixture	0-30	1023	79.1	0-40	1243	96	0-60	1291	99.8	0-90	1294	100	90-180	0	0	0-180	1294	100	<table border="1"> <thead> <tr> <th>Average Candela Degrees</th> <th>Average 0° Luminance</th> </tr> </thead> <tbody> <tr><td>37</td><td>36556</td></tr> <tr><td>45</td><td>8096</td></tr> <tr><td>55</td><td>1199</td></tr> <tr><td>65</td><td>640</td></tr> <tr><td>75</td><td>285</td></tr> <tr><td>85</td><td>0</td></tr> </tbody> </table>	Average Candela Degrees	Average 0° Luminance	37	36556	45	8096	55	1199	65	640	75	285	85	0
D	FC	L	W																																																																																					
4'	108.2	3.2	3.2																																																																																					
7'	35.3	5.6	5.6																																																																																					
9'	21.4	7.4	7.4																																																																																					
13'	10.2	10.6	10.6																																																																																					
16'	6.8	13.2	13.2																																																																																					
Degrees Vertical	Candela																																																																																							
0	1700																																																																																							
5	1751																																																																																							
15	1545																																																																																							
25	945																																																																																							
35	323																																																																																							
45	47																																																																																							
55	6																																																																																							
65	2																																																																																							
75	1																																																																																							
85	0																																																																																							
90	0																																																																																							
Zone	Lumens	% Fixture																																																																																						
0-30	1023	79.1																																																																																						
0-40	1243	96																																																																																						
0-60	1291	99.8																																																																																						
0-90	1294	100																																																																																						
90-180	0	0																																																																																						
0-180	1294	100																																																																																						
Average Candela Degrees	Average 0° Luminance																																																																																							
37	36556																																																																																							
45	8096																																																																																							
55	1199																																																																																							
65	640																																																																																							
75	285																																																																																							
85	0																																																																																							

Photometric Multipliers (Nominal Lumen Values)

250 Lumen	500 Lumen	800 Lumen	1000 Lumen	1500 Lumen	2000 Lumen	2500 Lumen	3000 Lumen	3500 Lumen
0.22	0.42	0.57	0.65	1.00	1.29	1.62	1.90	2.25

4000 Lumen	4500 Lumen	5000 Lumen	5500 Lumen	6000 Lumen	6500 Lumen	7000 Lumen	7500 Lumen
2.61	3.02	3.42	3.82	4.13	4.32	4.54	5.34

Multipliers for relative lumen values with other series models.

CCT Multipliers – 90CRI

2400K	2700K	3000K	3500K	4000K	5000K
0.912	0.949	0.986	1	1.001	1.022

Multipliers for relative lumen values with other series color temperatures.

CCT Multipliers – 97CRI

2700K	3000K	3500K	4000K	5000K
0.889	0.955	1	1.016	1.07

Multipliers for relative lumen values with other series color temperatures.

Color Finish Multipliers (from H = Semi Specular Clear)

Finish code	LI	H	WMH	WH	GPH	B	MW
Finish	Specular Clear	Semi-Specular Clear	Warm Haze	Wheat	Graphite Haze	Specular Black	Matte White
Multiplier	1.25	1.00	1.02	1.02	0.72	0.55	0.95

Multipliers for relative lumen values with other color finishes.

Multi-line Order Information

SAMPLE ORDER NUMBER: **LD4C10D010TRIEM14** (All components may ship separately)

Invoice will indicate separate fixture components (housing, trim, module) and may ship from multiple CLS facilities in separate cartons.



Domestic Preferences ⁽¹⁾	Housing	Lumens ⁽²⁾		
[Blank] =Standard BAA =Buy American Act TAA =Trade Agreements Act	LD4C =LED Downlight 4-inch Nominal Aperture LD4CCP =LED Downlight 4-inch Nominal Aperture, Chicago Plenum	02 =250 lumens 05 =500 lumens 08 =800 lumens 10 =1000 lumens 15 =1500 lumens 20 =2000 lumens	25 =2500 lumens 30 =3000 lumens 35 =3500 lumens 40 =4000 lumens 45 =4500 lumens ⁽³⁾ 50 =5000 lumens ⁽³⁾	55 =5500 lumens ⁽³⁾ 60 =6000 lumens ⁽³⁾ 65 =6500 lumens ⁽³⁾ 70 =7000 lumens ⁽³⁾ 75 =7500 lumens ⁽³⁾

Driver	Driver Options
D010 = 0-10V Dimming, 1% to 100%, 120V-277V, up to 7000 lumens (up to 3000 lumens for remote driver) 1D010 = 0-10V or line voltage Dimming, 1% to 100%, 120V, 7500 lumens (3500 to 7000 lumens for remote driver) 2D010 = 0-10V Dimming, 1% to 100%, 277V, 7500 lumens (3500 to 7000 lumens for remote driver) 3D010 = 0-10V Dimming, 1% to 100%, 347V dedicated drivers for 800 to 4000 lumens; 250, 500, 4500 and above use step down transformer (250 to 7000 lumens for remote driver) 1 driver: 250-7000 / 2 drivers: 7500	Blank =Integral driver R =Remote driver (offered with single driver, order remote driver separately) ⁽⁴⁾ PD =Plug in Driver (offered with single driver) ⁽⁸⁾
D010TR = 0-10V Dimming, 5% to 100%, 120V-277V or 120V line voltage dimming, 250- 4500 lumens (up to 3000 lumens for remote driver) 1D010TR = 0-10V or line voltage Dimming, 5% to 100%, 120V, 5000-7500 lumens (3500 to 4500 lumens for remote driver) 2D010TR = 0-10V or line voltage Dimming, 5% to 100%, 277V, 5000-7500 lumens (3500 to 4500 lumens for remote driver) 3D010TR = 0-10V Dimming, 5% to 100%, 347V step down transformer, 250-7500 lumens (250 to 4500 lumens for remote driver) 1 driver: 250-4500 / 2 drivers: 5000-7500	
DE010 = 0-10V Dimming, 0% to 100%, 120V-277V, 500-7000 lumens (up to 3000 lumens for remote driver) 1DE010 = 0-10V Dimming, 0% to 100%, 120V, 7500 lumens (3500 to 7000 lumens for remote driver) 2DE010 = 0-10V Dimming, 0% to 100%, 277V, 7500 lumens (3500 to 7000 lumens for remote driver) 3DE010 = 0-10V Dimming, 0% to 100%, 0-10V Dimming, 347V step down transformer, 500-7500 lumens (500 to 7000 lumens for remote driver) 1 driver: 500-7000 / 2 drivers: 7500	
DSL T = Fifth Light® (DALI T6) Logarithmic Dimming, 0% to 100%, 120V-277V, 500-7000 lumens (up to 3000 lumens for remote driver) 1DSL T = Fifth Light® (DALI T6) Logarithmic Dimming, 0% to 100%, 120V, 7500 lumens (3500 to 7000 lumens for remote driver) 2DSL T = Fifth Light® (DALI T6) Logarithmic Dimming, 0% to 100%, 277V, 7500 lumens (3500 to 7000 lumens for remote driver) 3DSL T =Fifth Light® (DALI T6) Logarithmic Dimming, 0% to 100% 347V step down transformer, 500-7500 lumens (500 to 7000 lumens for remote driver) 1 driver: 500-7000 / 2 drivers: 7500	
DMX =DMX/RDM Logarithmic Dimming, 0% to 100%, 120V-277V, 800-4500 lumens (up to 3000 lumens for remote driver) ⁽⁵⁾ 1DMX =DMX/RDM Logarithmic Dimming, 0% to 100%, 120V, 5000-7500 lumens (3500 to 4500 lumens for remote driver) ⁽⁵⁾ 2DMX =DMX/RDM Logarithmic Dimming, 0% to 100%, 277V, 5000-7500 lumens (3500 to 4500 lumens for remote driver) ⁽⁵⁾ 3DMX =DMX/RDM Logarithmic Dimming, 0% to 100%, 347V step down transformer, 800-7500 lumens, RJ45 Connection (800 to 4500 lumens for remote driver) ⁽⁵⁾ 1 driver: 800-4500 / 2 drivers: 5000-7500	
DMXC5 =DMX/RDM Logarithmic Dimming, 0% to 100%, 120V-277V, up to 800-4500 lumens, RJ45 Connection (up to 3000 lumens for remote driver) ⁽⁵⁾ 1DMXC5 =DMX/RDM Logarithmic Dimming, 0% to 100%, 120V, 5000-7500 lumens, RJ45 Connection (3500 to 4500 lumens for remote driver) ⁽⁵⁾ 2DMXC5 =DMX/RDM Logarithmic Dimming, 0% to 100%, 277V, 5000-7500 lumens, RJ45 Connection (3500 to 4500 lumens for remote driver) ⁽⁵⁾ 3DMXC5 =DMX/RDM Logarithmic Dimming, 0% to 100%, 347V step down transformer, 250-7500 lumens, RJ45 Connection (800 to 4500 lumens for remote driver) ⁽⁵⁾ 1 driver: 800-4500 / 2 drivers: 5000-7500	
1DL2 =Lutron® Hi-Lume Forward Phase Dimming, 1% to 100%, 120V Only, 800-7500 lumens (800 to 3500 lumens for remote driver) 3DL2 = Lutron® Hi-Lume Forward Phase Dimming, 1% to 100%, 347V step down transformer, 800-7500 lumens (800 to 3500 lumens for remote driver) 1 driver: 800-3500 / 2 drivers: 4000-7500	
DLE =Lutron Ecosystem dimming 1% to 100%, 120V-277V, 800-3500 lumens (up to 3000 lumens for remote driver) 1DLE =Lutron Ecosystem dimming 1% to 100%, 120V, 4000-7500 lumens (3500 lumens for remote driver) 2DLE =Lutron Ecosystem dimming 1% to 100%, 120V-277V, 4000-7500 lumens (3500 lumens for remote driver) 3DLE =Lutron Ecosystem dimming 1% to 100%, 347V, step down transformer, 800-7500 lumens (800-3500 lumens for remote driver) 1 driver: 800-3500 / 2 drivers: 4000-7500	
DLV =Low voltage dimming driver (1-100%) for use with DLVP system 800-3000 lumens ⁽⁶⁾	

Options ⁽⁶⁾	
EMBOD =Bodine® Emergency Module with Remote Test Switch ⁽¹⁰⁾ EMBOD6ST =Bodine® 6W Self Test Emergency Module with Remote Test Switch EM7 =7W Emergency Module with Remote Test Switch EM14 =14W Emergency Module with Remote Test Switch EMBOD7ST =Bodine® Self Test Emergency Module ⁽¹⁰⁾ IEMBOD =Bodine® Emergency Module with Integral Test Switch ^{(10) (22)}	IEM7 =7W Emergency Module with Integral Test Switch ⁽²²⁾ IEM14 =14W Emergency Module with Integral Test Switch ⁽²²⁾ EMV7 =7W Low Voltage Emergency Module with Remote Test Switch ⁽⁷⁾ EMV14 =14W Low Voltage Emergency Module with Remote Test Switch ⁽⁷⁾ ETRD =Emergency transfer device ⁽³¹⁾ WPST =Factory installed Wavelinx (includes control module, sensor, cable, tilemount and ceiling mount sensor) ^{(11) (13)} WLST =Factory installed Wavelinx LITE Sensor Kit ^{(11) (12)} WPN = Wavelinx PRO Wireless Node without sensor ⁽⁸⁴⁾

Continued on next page.

Multi-line Order Information

SAMPLE ORDER NUMBER: **EU4C10209035**

Domestic Preferences ⁽¹⁾	Power Module	Lumen Levels ⁽²⁾	CRI ⁽²⁾	Color
[Blank] =Standard BAA =Buy American Act TAA =Trade Agreements Act	EU4C =4-inch Universal LED Module	For use with one driver 0208IC =250, 500, 800 lumens, IC Rated (for use with all drivers, min 500 lumen with DE010 and D5LT, min 800 lumens with DLVP, Lutron and DMX) 1020 = 1000, 1500, 2000 lumens 1015IC =1000, 1500 lumens IC Rated 2540 =2500, 3000, 3500, 4000 lumens (For use with Lutron 3000-3500, DLVP 3000 lumens, DMX, D010, D010TR, D5LT and DE010 3000-4000) 4560 =4500, 5000, 5500, 6000 lumens (For use with DMX and D010TR 4500 lumens, D010, D5LT and DE010 4500-6000) ⁽³⁾ 6570 =6500, 7000 lumens (For use with D010, D5LT and DE010) ⁽³⁾ For use with two drivers 4075 =4000, 4500, 5000, 5500, 6000, 6500, 7000, 7500 lumens (For use with Lutron 4000-7500, D010TR & DMX 5000, D010, D5LT & DE010 7500 lumen) ⁽³⁾	90 =90 CRI Minimum 97 =97 CRI Minimum	90 CRI 24 =2400K 27 =2700K 30 =3000K 35 =3500K 40 =4000K 50 =5000K 97 CRI 27 =2700K 30 =3000K

SAMPLE ORDER NUMBER: **4LBM2H**

Domestic Preferences ⁽¹⁾	Trim	Reflector	Flange	Finish	Options	
[Blank] =Standard BAA =Buy American Act	4LB =4" LED	N =Narrow, Spun Aluminum ⁽²⁹⁾ M =50° Cutoff, Medium Beam Reflector, Spun Aluminum MD =45° Cutoff, Medium Beam Reflector, Spun Aluminum W =Wide, Spun Aluminum S =Shallow, Spun Aluminum HY =Hyperbolic medium beam ⁽²⁹⁾ PS =Non-Conductive Shallow, Injection Molded white ^{(16) (17)} CS =Cast Shallow, Die Cast Aluminum BA = Spun Aluminum Baffle ⁽²⁴⁾	Wall Wash SWN =Single wall wash, spun aluminum DWN =Double wall wash, spun aluminum CW =Corner wall wash, spun aluminum LSWW =Lensed single wall wash, spun aluminum LDWW =Lensed double wall wash, spun aluminum	0 =White polymer trim ring 1 =Self flanged ⁽¹⁸⁾ 2 =White painted self flanged 4 =Knife edge rimless use with die cast only ⁽¹⁹⁾	LI =Specular Clear ⁽²⁰⁾ H =Semi-Specular Clear ⁽²⁰⁾ WMH =Warm Haze ⁽²⁰⁾ WH =Wheat ⁽²⁰⁾ GPH =Graphite Haze ⁽²⁰⁾ B =Specular Black ⁽²⁰⁾ MW =Matte White MB =Matte Black ⁽²¹⁾ MMS =Matte Metallic Silver ⁽²¹⁾	E =Integral Emergency Test Switch Hole ⁽²²⁾

REQUIRED if Remote Driver (R) is specified

SAMPLE ORDER NUMBER: **RC10010D010TREM7**

Domestic Preferences ⁽¹⁾	Remote Drivers	Lumens ^{(2) (14)}
[Blank] =Standard BAA =Buy American Act TAA =Trade Agreements Act	RC100 =Remote 100ft RC75 =Remote 75ft RC50 =Remote 50ft RC25 =Remote 25ft RC15 =Remote 15ft RC5 =Remote 5ft RC2 =Remote 2ft	02 =250 lumens 05 =500 lumens 08 =800 lumens 10 =1000 lumens 15 =1500 lumens 20 =2000 lumens 25 =2500 lumens 30 =3000 lumens 35 =3500 lumens 40 =4000 lumens 45 =4500 lumens 50 =5000 lumens 55 =5500 lumens 60 =6000 lumens 65 =6500 lumens 70 =7000 lumens

Continued on next page.

Multi-line Order Information

Driver
<p>D010 = 0-10V Dimming, 1% to 100%, 120V-277V, 250-3000 lumens 1D010 = 0-10V Dimming, 1% to 100%, 120V, 3500-7000 lumens 2D010 = 0-10V Dimming, 1% to 100%, 277V, 3500-7000 lumens 3D010 = 0-10V Dimming, 1% to 100%, 347V dedicated drivers for 800 to 3000 lumens; 250, 500, 3500-7000 lumens use step down transformer</p>
<p>D010TR = 0-10V Dimming, 5% to 100%, 120V-277V or 120V line voltage dimming, 120V-277V, 250- 3000 lumens 1D010TR = 0-10V or line voltage Dimming, 5% to 100%, 120V, 3500-4500 lumens 2D010TR = 0-10V Dimming, 5% to 100%, 277V, 3500-4500 lumens 3D010TR = 0-10V or line voltage Dimming, 5% to 100% 347V step down transformer, 250-4500 lumens</p>
<p>DE010 = 0-10V Dimming, 0% to 100%, 120V-277V, 500-3000 lumens 1DE010 = 0-10V Dimming, 0% to 100%, 120V, 3500-7,000 lumens 2DE010 = 0-10V Dimming, 0% to 100%, 277V, 3500-7,000 lumens 3DE010 = 0-10V Dimming, 0% to 100%, 347V step down transformer, 500-7,000 lumens</p>
<p>D5LT = Fifth Light® (DALI T6) Logarithmic Dimming, 0% to 100%, 120V-277V, 500-3000 lumens 1D5LT = Fifth Light® (DALI T6) Logarithmic Dimming, 0% to 100%, 120V, 3500-7,000 lumens 2D5LT = Fifth Light® (DALI T6) Logarithmic Dimming, 0% to 100%, 277V, 3500-7,000 lumens 3D5LT = Fifth Light® (DALI T6) Logarithmic Dimming, 0% to 100% 347V step down transformer, 500-7,000 lumens</p>
<p>DMX = DMX/RDM Logarithmic Dimming, 0% to 100%, 120V-277V, 800-3000 lumens⁽⁵⁾ 1DMX=DMX/RDM Logarithmic Dimming, 0% to 100%, 120V, 3500-4500⁽⁵⁾ 2DMX=DMX/RDM Logarithmic Dimming, 0% to 100%, 277V, 3500-4500⁽⁵⁾ 3DMX=DMX/RDM Logarithmic Dimming, 0% to 100%, 347V step down transformer, 800-4500⁽⁵⁾</p>
<p>DMXC5 = DMX/RDM Logarithmic Dimming, 0% to 100%, 120V-277V up to 800-3000 lumens, RJ45 Connection⁽⁵⁾ 1DMXC5=DMX/RDM Logarithmic Dimming, 0% to 100%, 120V, 3500-4500 lumens, RJ45 Connection⁽⁵⁾ 2DMXC5=DMX/RDM Logarithmic Dimming, 0% to 100%, 277V, 3500-4500 lumens, RJ45 Connection⁽⁵⁾ 3DMXC5=DMX/RDM Logarithmic Dimming, 0% to 100%, 347V step down transformer, 800-4500 lumens, RJ45 Connection⁽⁵⁾</p>
<p>1DL2=Lutron® Hi-Lume Forward Phase Dimming, 1% to 100%, 120V Only, 25' Max remote length, 800-3500 lumens 3DL2 = Lutron® Hi-Lume Forward Phase Dimming, 1% to 100%, 347V step down transformer, 25' Max remote length, 800-3500 lumens</p>
<p>DLE = Lutron Ecosystem dimming 1% to 100%, 120V-277V, 25' Max remote length, 800-3000 lumens 1DLE=Lutron Ecosystem dimming 1% to 100%, 120V, 25' Max remote length, 3500 lumens 2DLE=Lutron Ecosystem dimming 1% to 100%, 277V, 25' Max remote length, 3500 lumens 3DLE=Lutron Ecosystem dimming 1% to 100%, 347V, step down transformer, 25' Max remote length, 800-3500 lumens</p>
<p>DLV = Low voltage dimming driver (1-100%) for use with DLVP system, 800-3000 lumens⁽⁶⁾</p>

Options	Controls
<p>EMB0D=Bodine® Emergency Module with Remote Test Switch⁽¹⁰⁾ EMB0D6ST=Bodine® 6W Self Test Emergency Module with Remote Test Switch EM7=7W Emergency Module with Remote Test Switch EM14=14W Emergency Module with Remote Test Switch</p>	<p>WPST=Factory installed Wavelinx (includes control module, sensor, cable, tilemount and ceiling mount sensor)⁽¹¹⁾⁽¹³⁾ WLS=Factory installed Wavelinx LITE Sensor Kit⁽¹¹⁾⁽¹²⁾ WPN = Wavelinx PRO Wireless Node without sensor⁽¹⁴⁾</p>
<p>EMB0D7ST=Bodine® Self Test Emergency Module with Remote Test Switch⁽¹⁰⁾ EMV7=7W Low Voltage Emergency Module with Remote Test Switch⁽⁷⁾ EMV14=14W Low Voltage Emergency Module with Remote Test Switch⁽⁷⁾ ETRD=Emergency transfer device⁽³¹⁾</p>	

Accessories (Order separately) ⁽²⁵⁾		
<p>TRM4P=White metal trim ring⁽²⁶⁾ LGSKT4IP66=IP66 Gasket Kit DT4RF=4 inch frosted acrylic ring⁽²⁸⁾ PRR4=Rimless Plaster Ring⁽²⁴⁾ RKP4=Knife Edge plaster Ring⁽²⁷⁾ RPM4MW=Rimless Millwork Ring, Matte White⁽²⁶⁾ RPM4MB=Rimless Millwork Ring, Matte Black⁽²⁶⁾ RKM4MW=Knife Edge Millwork Ring, Matte White⁽²⁷⁾ RKM4MB=Knife Edge Millwork Ring, Matte Black⁽²⁷⁾</p>	<p>HSA4=Slope Adapter for 4" Aperture Housings, Specify Slope⁽³³⁾ Connected Lighting Systems⁽⁶⁾⁽¹¹⁾ WPST = Field installed Wavelinx sensor Kit⁽¹³⁾ WLS = Field installed Wavelinx LITE Sensor Kit⁽¹²⁾ Transformers H347=H347 for 5500 lumens and below H347200=347 to 120V Step Down Transformer, 200VA</p>	<p>Bar Hangers HB50=C-channel Bar Hanger, 50" Long, Pair RMB22=Wood Joist Bar Hanger, 22" Long, Pair</p>

- Notes:**
- Only product configurations with these designated prefixes are built to be compliant with the Buy American Act of 1933 (BAA) or Trade Agreements Act of 1979 (TAA), respectively. Please refer to [DOMESTIC PREFERENCES](#) website for more information. Components shipped separately may be separately analysed under domestic preference requirements. Offered with spun aluminum narrow (N), medium (M) and wide (W) trims.
 - Nominal Lumens will vary depending on selected color, CRI, driver and reflector finish. Reference [Multiplier tables](#).
 - Product is marked spacing. [Reference table on page 4 for the spacing details](#).
 - DMX fixtures default to full on upon loss of DMX signal.
 - Not available with Chicago Plenum.
 - ULUS listed only
 - Offered with
 - D010, D5LT, DE010 up to 7000 lumens
 - D010TR, DMX up to 4500 lumens
 - DLE, DL2 up to 3500 lumens
 - Not available with 5500 lumens
 - Not available for 6500-7000 lumens
 - Refer to system specifications for additional information, features, and benefits. Order either factory installed option or accessory. Use with 0-10V driver.
 - WLS = Wavelinx LITE tilemount sensor kit for daylight dimming, PIR motion sensing, use with D010 only (Refer to Wavelinx LITE system specifications)
 - WPST = Wavelinx wireless sensor kit for daylight dimming, PIR motion sensing, and optional RLTS - Real Time Location Services, use with 0-10V only.
 - IC rated up to 3000 lumens
 - Spun aluminum only
 - PS available in self-flanged MW finish only
 - Offered up to 2000 lumens
 - Flange is the same finish as the reflector
 - Requires knife edge accessory ring
 - Anodized or spun reflectors
 - Die cast only
 - Available with narrow (N), medium (M) and medium 45 degree (MD) Spun Aluminum trims. Required for use with all IEMB0D, IEM7, IEM14, IEMV7 and IEMV14 housings. Not offered with remote driver.
 - Offered with DLVP up to 3000 lumens.
 - Black or white paint.
 - Accessories sold separately will be separately analyzed under domestic preference requirements. Consult factory for further information.
 - Order trim with polymer trim ring (Consult specification sheet for color ordering information and options).
 - Order die cast trim with flange type 4
 - Order with self flanged trim.
 - Use only with single LED/driver.
 - If using remote driver order battery and controls with the remote driver.
 - 120V-277V
 - Used to bypass local control during outage. Must be used in conjunction with UL 1008 device (provided by others).
 - Non-IC
 - Not recommended for use with Wall Wash
 - WPN = Wavelinx PRO wireless node provides luminaire-level control with scene and zone configuration without an integrated sensor; Connects wirelessly with daylight dimming sensor and PIR motion sensor if desired. Use with 0-10V driver only.

Connected Solutions

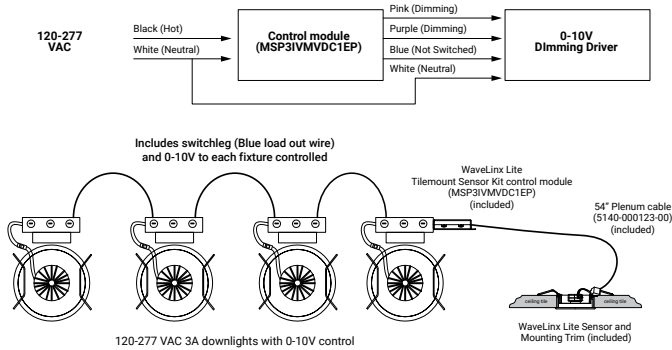
WaveLinX LITE - WLST Tilemount Sensor



- Intuitive Android™ or Apple® iOS® app for basic system code compliant set up and configuration via Bluetooth
- Up to 28 unique areas per project site (WaveLinX LITE Bluetooth network)
- Up to 50 devices for an area, any one of 16 control zones, up to 6 occupancy sets, and custom lighting scenes
- Automatic occupancy or vacancy, sensor sensitivity, daylight dimming, etc. configurable through the app
- Refer to the WaveLinX system specifications for details



WaveLinX LITE WLST Tilemount Wiring Diagram



WaveLinX LITE Bluetooth Enabled System



WaveLinX PRO Wireless – WPST Tilemount Sensor



- WaveLinX PRO Wireless functionality configures zones and customizes settings from one secure mobile app
- Automatic code commissioning that meets the strictest codes
- Fixtures and sensors integrate with Wireless Area Controller, Wall Stations, and Control Devices
- Stand-Along Offices or Entire Building Network Installations

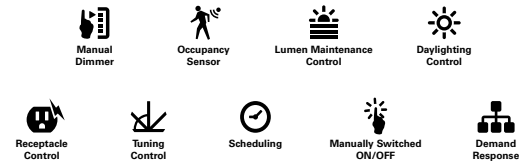
Downlights with tilemount sensor wireless communication
Highly efficient LED fixtures

WaveLinX Area Controller
Provides centralized coordination of multiple area control options

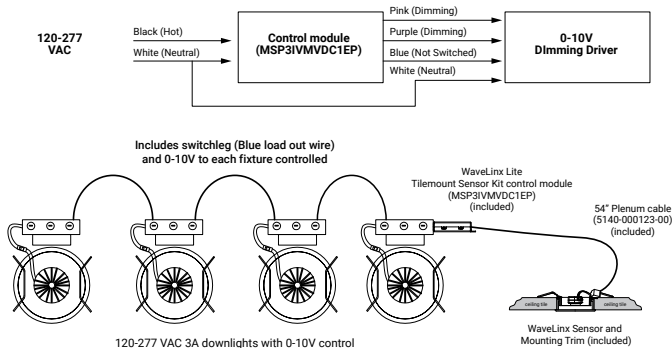
Wireless Wall Station/Receptacle
Provides customized wireless control of each area

Mobile Applications
Provides personalized, local control from a tablet or smartphone

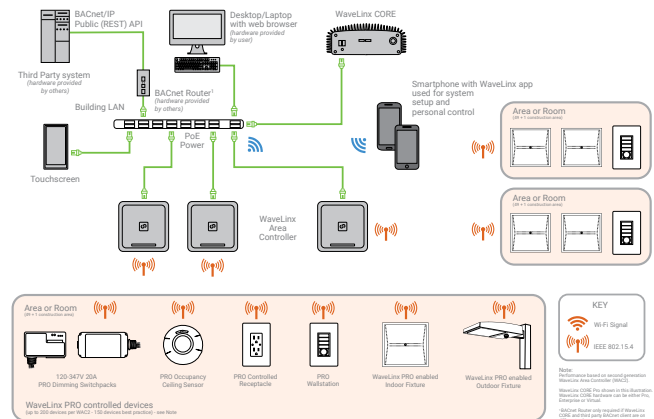
WaveLinX mobile app settings



WaveLinX PRO WPST Tilemount Wiring Diagram



WaveLinX CORE Building Management Integration



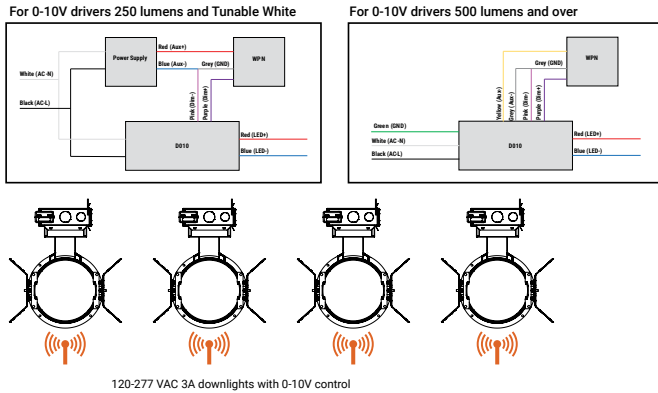
Connected Solutions

WaveLinx PRO Wireless Node - WPN

- WaveLinx Wireless functionality configures zones and customizes settings from one secure mobile app
- Automatic code commissioning that meets the strictest codes
- Fixtures and sensors integrate with WaveLinx Area Controller, Wall Stations, and Control Devices
- Stand-Alone Offices or Entire Building Network Installations



WaveLinx PRO Wireless Node (WPN) Wiring Diagram



WaveLinx CORE Building Management Integration

