

# WIREMOLD



## Adjustable Partition Kit for Omnibox™ Floor Box Covers INSTALLATION INSTRUCTIONS

Installation Instruction No.: 1 005 001 – June 2006

Wiremold / Legrand electrical systems conform to and should be properly grounded in compliance with requirements of the current National Electrical Code or codes administered by local authorities.

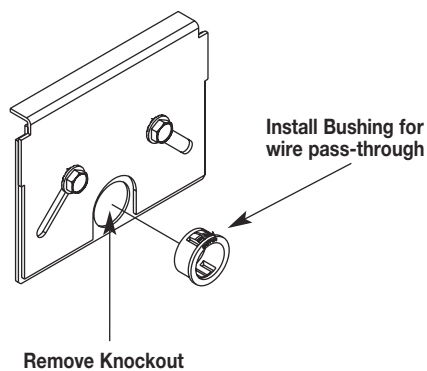
All electrical products may present a possible shock or fire hazard if improperly installed or used. Wiremold / Legrand electrical products may bear the mark as UL Listed and/or Classified and should be installed in conformance with current local and/or the National Electrical Code.

**IMPORTANT: Please read all instructions before beginning.**

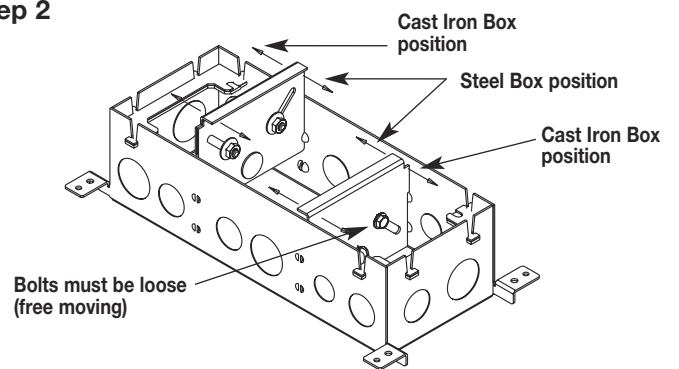
### Products Covered:

Adjustable Partition Kit: 880SAP, 880MAP, 880CSAP and 880CMAP

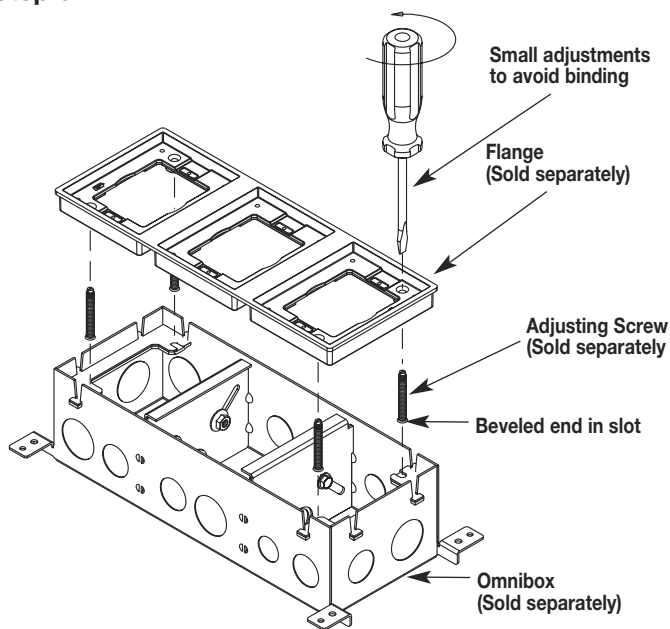
### Step 1 (Optional)



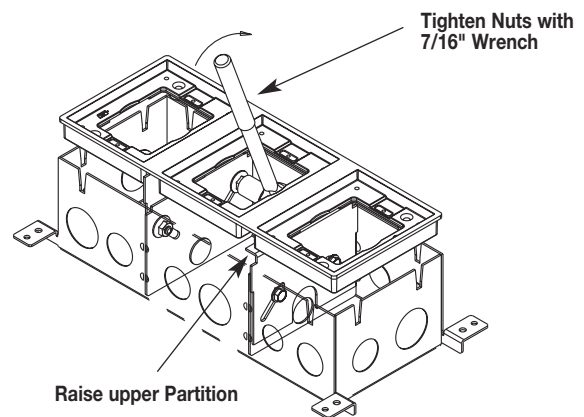
### Step 2

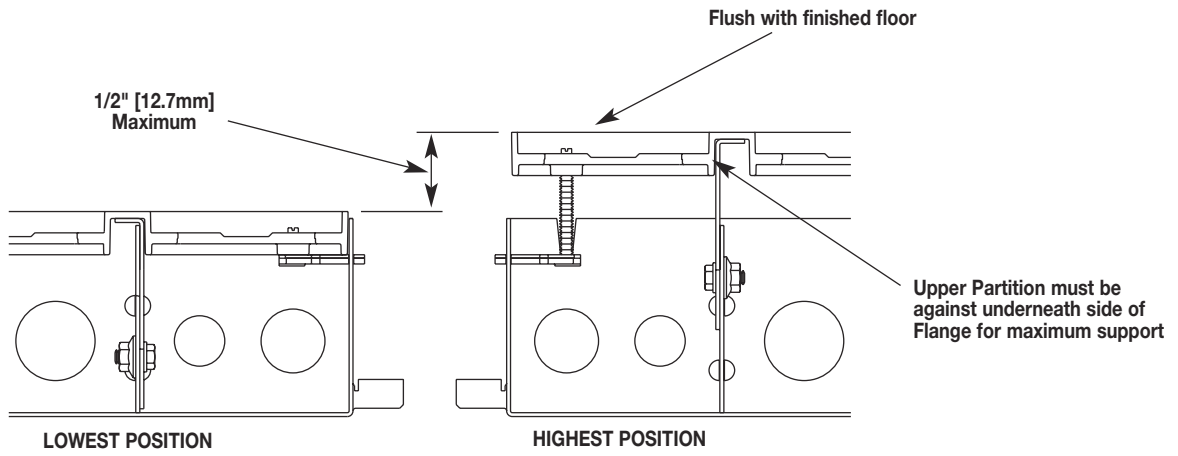


### Step 3



### Step 4





Consult factory for upward adjustment greater than 1/2" [12.7mm].

**WIREMOLD**

**legrand®**

**Wiremold / Legrand**

U.S. and International:

60 Woodlawn Street • West Hartford, CT 06110

1-800-621-0049 • FAX 860-232-2062 • Outside U.S.: 860-233-6251

Canada:

570 Applewood Crescent • Vaughan, Ontario L4K 4B4

1-800-723-5175 • FAX 905-738-9721

