

171638-1 ✓ ACTIVE

MATE-N-LOK | Mini-Universal MATE-N-LOK

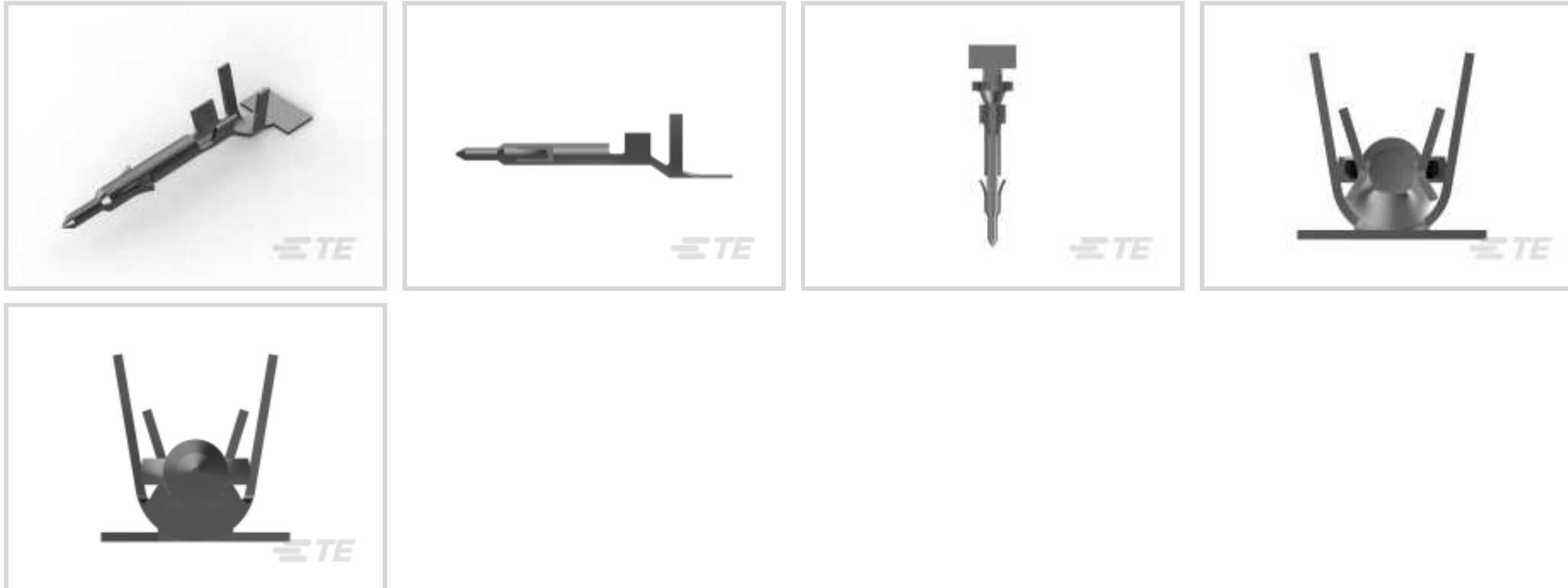
TE Internal #: 171638-1

Mini-Universal MATE-N-LOK, Power Contacts, Contact, Operating Voltage 600 VAC, Operating Voltage 600 VDC, Pre-Tin, 20 – 16AWG Wire Size

[View on TE.com >](#)



Connectors > Power Connectors > Power Contacts



Power Contact Type: **Contact**

Operating Voltage: **600 VDC**

Contact Mating Area Plating Material: **Pre-Tin**

Wire Size: **20 – 16 AWG**

## Features

### Product Type Features

Power Contact Type	Contact
Connector System	Wire-to-Wire
Connector & Contact Terminates To	Wire & Cable

### Electrical Characteristics

Operating Voltage	600 VDC
-------------------	---------

### Contact Features

Contact Shape & Form	Square
Contact Mating Area Plating Material	Pre-Tin
Contact Current Rating (Max)	7 A
Contact Type	Pin
Contact Retention Within Housing	With
Mating Pin Diameter	1 mm [.039 in]
Contact Base Material	Brass
Contact Mating Area Plating Material Thickness	.8 $\mu$ m [31.49 $\mu$ in]
Wire Contact Termination Area Plating Material Thickness	.8 $\mu$ m [31.49 $\mu$ in]



Wire Contact Termination Area Plating Material	Pre-Tin
Wire Contact Termination Area Plating Material Finish	Matte
Contact Orientation	Straight
Barrel Type	Open Barrel

### Termination Features

Termination Method to Wire & Cable	Crimp
------------------------------------	-------

### Mechanical Attachment

Connector Mounting Type	Cable Mount (Free-Hanging)
Wire Insulation Support	Without

### Dimensions

Wire Size	.5 – 1.3 mm <sup>2</sup>
Accepts Wire Insulation Diameter Range	2 – 3.2 mm, 2.4 mm [.079 – .126 in][.094 in]

### Usage Conditions

Operating Temperature Range	-20 – 105 °C [-4 – 221 °F]
-----------------------------	----------------------------

### Operation/Application

Circuit Application	Power
---------------------	-------

### Industry Standards

CSA Rating	Certified
Glow Wire Rating	Standard Part - Not Glow Wire
VDE Tested	No
Agency/Standard	CSA, UL
CSA File Number	LR 7189
UL Rating	Recognized
UL File Number	E28476

### Packaging Features

Packaging Method	Bag
Packaging Quantity	1000

### Other

Wire/Cable Type	Discrete Wire
Wire Type	Stranded
For Use With	Plug and Cap Housing

## Product Compliance

[For compliance documentation, visit the product page on TE.com>](#)

EU RoHS Directive 2011/65/EU	Compliant
EU ELV Directive 2000/53/EC	Compliant
China RoHS 2 Directive MIIT Order No 32, 2016	No Restricted Materials Above Threshold
EU REACH Regulation (EC) No. 1907/2006	Current ECHA Candidate List: JUN 2020 (209) Candidate List Declared Against: JUN 2020 (209) Does not contain REACH SVHC
Halogen Content	Low Halogen - Br, Cl, F, I < 900 ppm per homogenous material. Also BFR/CFR/PVC Free
Solder Process Capability	Not applicable for solder process capability

### Product Compliance Disclaimer

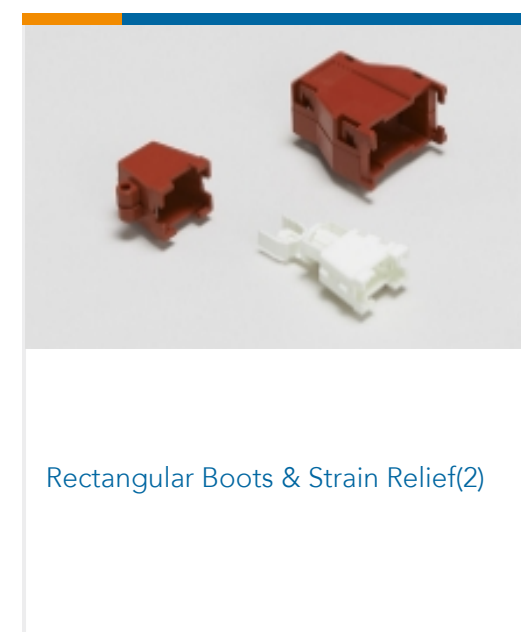
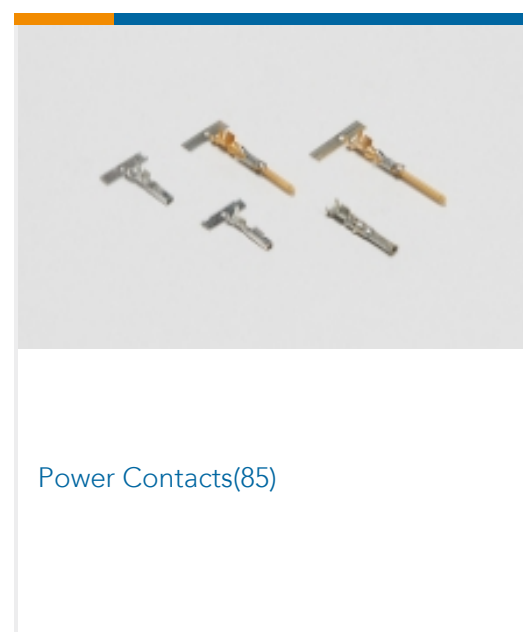
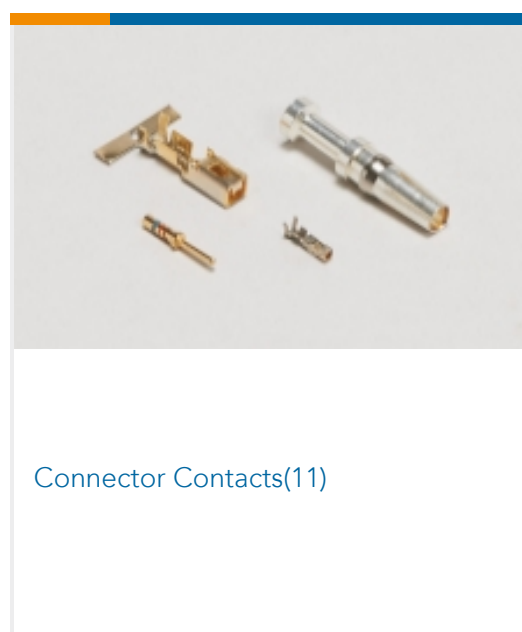
This information is provided based on reasonable inquiry of our suppliers and represents our current actual knowledge based on the information they provided. This information is subject to change. The part numbers that TE has identified as EU RoHS compliant have a maximum concentration of 0.1% by weight in homogenous materials for lead, hexavalent chromium, mercury, PBB, PBDE, DBP, BBP, DEHP, DIBP, and 0.01% for cadmium, or qualify for an exemption to these limits as defined in the Annexes of Directive 2011/65/EU (RoHS2). Finished electrical and electronic equipment products will be CE marked as required by Directive 2011/65/EU. Components may not be CE marked. Additionally, the part numbers that TE has identified as EU ELV compliant have a maximum concentration of 0.1% by weight in homogenous materials for lead, hexavalent chromium, and mercury, and 0.01% for cadmium, or qualify for an exemption to these limits as defined in the Annexes of Directive 2000/53/EC (ELV). Regarding the REACH Regulation, the information TE provides on SVHC in articles for this part number is based on the latest European Chemicals Agency (ECHA) 'Guidance on requirements for substances in articles' posted at this URL: <https://echa.europa.eu/guidance-documents/guidance-on-reach>

## Compatible Parts

 <p>TE Model / Part # 91536-1 CERTICRIMP 2,SAHT MINI UMNL</p>	 <p>TE Model / Part # 455830-1 INSERTION TOOL</p>	 <p>TE Model / Part # 189727-1 EXTRACTION TOOL</p>	 <p>TE Model / Part # 172341-1 MINI UMNL PLUG HOUSING 12P</p>
--	---	---	--

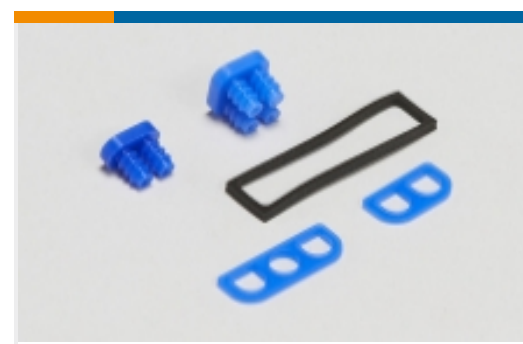


## Also in the Series | Mini-Universal MATE-N-LOK





Rectangular Connector Keying Plugs(2)



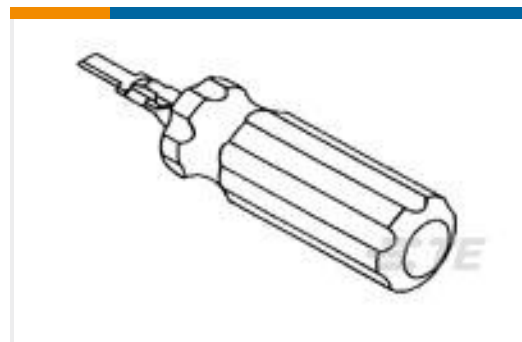
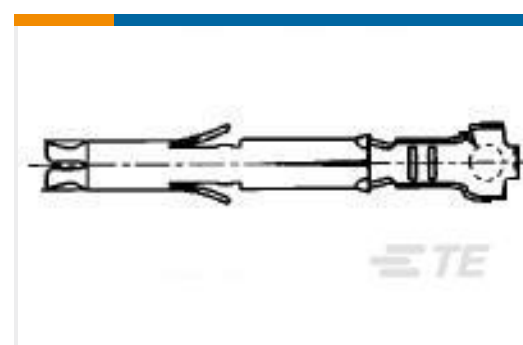
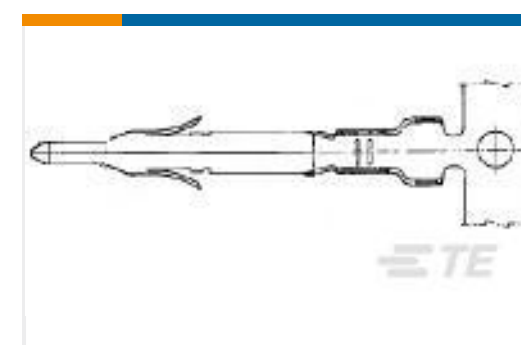
Rectangular Connector Seals(18)



Rectangular Power Connectors(284)

Wire-to-Board Headers & Receptacles  
(1)

## Customers Also Bought

TE Model / Part #189727-1  
EXTRACTION TOOLTE Model / Part #1-178128-3  
DYNAMIC 3200 REC HSG 3P SGLTE Model / Part #172159-1  
4 CIR UNIV M-N-L CAPTE Model / Part #175218-2  
DYNAMIC REC CONTACT L L/PTE Model / Part #1-178288-3  
DYNAMIC 3100 REC HSG 3P (SGL)TE Model / Part #170365-1  
MINI UNIVERSAL M-N-L SOCKET LPTE Model / Part #172168-1  
6 CIR UNIV M-N-L PLUGTE Model / Part #170363-1  
MINI UNIVERSAL M-N-L PIN LPTE Model / Part #171639-1  
MINI U-M-N-L SOCKET L.PTE Model / Part #172160-1  
6 CIR UNIV M-N-L CAP

## Documents

### Product Drawings

[MINI U-M-N-L PIN CONT. L.P](#)

English

### CAD Files

[3D PDF](#)

[3D](#)

[Customer View Model](#)

[ENG\\_CVM\\_CVM\\_171638-1\\_A.2d\\_dxf.zip](#)



English

**Customer View Model**

[ENG\\_CVM\\_CVM\\_171638-1\\_A.3d\\_igs.zip](#)

English

**Customer View Model**

[ENG\\_CVM\\_CVM\\_171638-1\\_A.3d\\_stp.zip](#)

English

By downloading the CAD file I accept and agree to the [Terms and Conditions](#) of use.

---

**Datasheets & Catalog Pages**

[SOFT\\_SHELL\\_PIN\\_AND\\_SOCKET\\_CONNECTORS\\_CATALOG](#)

English

[1-1773458-0\\_MINI\\_UNIVERSAL\\_MATE\\_N\\_LOK\\_CONNECTOR\\_SYSTEM\\_QRG](#)

English

---

**Product Specifications**

[Crimping of Mini-Universal MATE-N-LOK Contact](#)

Japanese

[Application Specification](#)

Japanese

---

**Product Environmental Compliance**

[MD\\_171638-1\\_06232016850\\_dmtec](#)

English

[MD\\_171638-1\\_06232016850\\_dmtec](#)

English

---

**Instruction Sheets**

[Instruction Sheet \(non U.S.\)](#)

Japanese

[Mini-Universal MATE-N-LOK Connector](#)

Japanese