

WIREMOLD



485 Cover Plate Lifter

INSTALLATION INSTRUCTIONS

Installation Instruction No.: 1 005 238 – August 2006

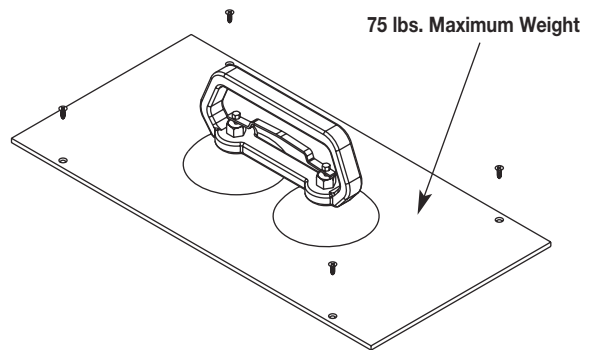
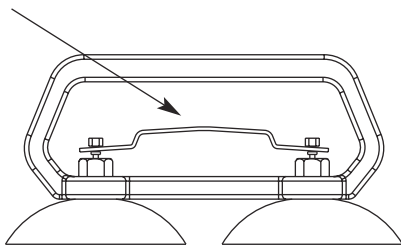
Wiremold / Legrand electrical systems conform to and should be properly grounded in compliance with requirements of the current National Electrical Code or codes administered by local authorities.

All electrical products may present a possible shock or fire hazard if improperly installed or used. Wiremold / Legrand electrical products may bear the mark as UL Listed and/or Classified and should be installed in conformance with current local and/or the National Electrical Code.

IMPORTANT: Please read all instructions before beginning.

NOTE: The 485 Cover Plate Lifter is intended for lifting cover plates only. The surface of the cover plate must be clean, smooth, dry, and free of oil and grease.

Detaching Lever



NOTE: The carrying capacity of this lifter is 75 lbs. (34 kg). This rating is based on application to clean, dry, smooth metal at an ambient temperature of 20° C after generating the maximum vacuum.

1. Remove screws from cover plates.
2. Place cover plate lifter on the center of the cover plate. Gently squeeze the detaching lever while applying pressure to the cover plate lifter, assuring that it will seat itself properly. Once cups are seated, release pressure on detaching lever prior to releasing pressure to lifter. Do not apply pressure to the detaching lever once it has been properly seated against surface of the cover plate. Watch the cups for 10 seconds. The cups are properly seated if you do not see them rise upward within 10 seconds after applying pressure. If there is no vacuum seal, first inspect the vacuum cups to see if there is a tear or there is debris (even something as small as a metal shaving or cardboard debris) anywhere on the cup that could prevent the seal.
3. Lift cover plate in a horizontal position and store in desired location.
4. To release lifter from cover plate, lift up gently on the detaching lever with your fingers while the palm of your hand is placed upon the top handle. Lifting up on the detaching lever with too much force can cause it to bend which reduces the effectiveness of the lifter.

To assure the safest possible use, see the safety rules on the next page:

To assure the safest possible use, you must observe these simple rules:

- **DO** use cup only as a hand lifting tool for short-term handling.
- **DO** use cup only on clean, smooth, dry surface, free of oil or grease.
- **DO** test vacuum grip each time before lifting a load.
- **DO** reattach the cup when the grip does not feel sufficiently firm.
- **DO** keep rubber seal clean and undamaged and free of oil or grease.
- **DO** store cups with the seals in the flat, relaxed position.
- **DO NOT** use hand cups as crane or hoist or robot attachments.
- **DO NOT** use hand cups as permanent vacuum attachments.
- **DO NOT** pry rubber seals loose with sharp tools.
- **DO NOT** use hand cups with damaged seals.
- **DO NOT** lift any load over people or above parts of the body.
- **DO NOT** use hand vacuum cups as suspension tools for hoisting loads or to suspend persons.
- **DO NOT** exceed the rated carrying capacity of the cups.
- Never use the suction lifter to secure persons.
- Only use the suction lifter if you have experience in handling it, or if you are supervised by a person who has experience in handling this tool.
- The carrying capacity is significantly reduced and may even be completely lost at low temperatures, with humidity or with dirt accumulation, especially in the case of neglected or damaged suction pads, and if materials other than metal (e.g. glass, plastic, stone, etc) are lifted or carried.
- You should always check the suitability of the suction lifter for the intended use. Secure objects to be lifted or carried by other means if necessary.
- Observing these rules will make the use of these cups for your handling task convenient and safe.

**THE MANUFACTURER AND SALES AGENTS OF THESE
HAND CUPS DECLINE ANY RESPONSIBILITY FOR
ACCIDENTS OR DAMAGE WHICH RESULT FROM THE
NON-OBSERVANCE OF THE ABOVE RULES.**

WIREMOLD

 **legrand®**

Wiremold / Legrand

U.S. and International:

60 Woodlawn Street • West Hartford, CT 06110

1-800-621-0049 • FAX 860-232-2062 • Outside U.S.: 860-233-6251

Canada:

570 Applewood Crescent • Vaughan, Ontario L4K 4B4

1-800-723-5175 • FAX 905-738-9721

