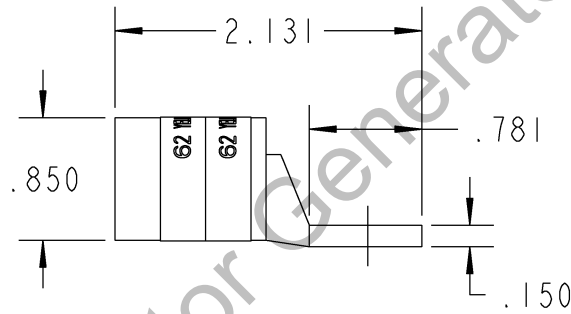
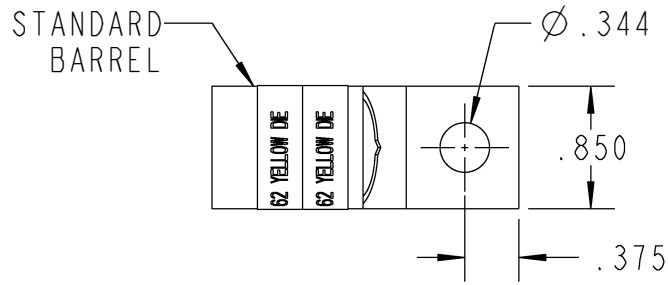
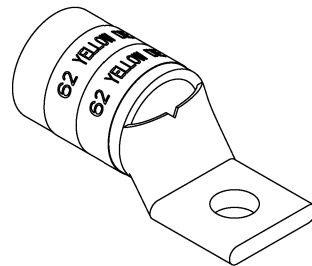


Color-Keyed[®]

CATALOG NO. 58162NT



Configurator Generated



WIRE SIZE: 300MCM, 4/0 WELD, 650/24
 MATERIAL: HIGH CONDUCTIVITY COPPER
 FINISH: TIN PLATED

| | | | | | |
|---|--|---|-----------|----------|------------------------|
| GENERAL NOTES | | Thomas & Betts <small>www.tnb.com</small> | | | |
| 1. ALL DIMENSIONS ARE FOR REFERENCE ONLY. 2. DIMENSIONS IN BRACKETS [] ARE IN METRIC UNITS. | | | | | |
| REVISIONS | | DESCRIPTION: 1 HOLE LUG | | | |
| ** SEE ERN (****) FOR APPROVAL SIGNATURES & RELEASE DATE. PROJECT NO: **** | | ORIGINAL PROJECT NO / (ERN NO) | SHEET NO: | REV. NO: | DRAWING NO: WSD-002330 |
| | | / () | 1 OF 1 | B | 58162NT |