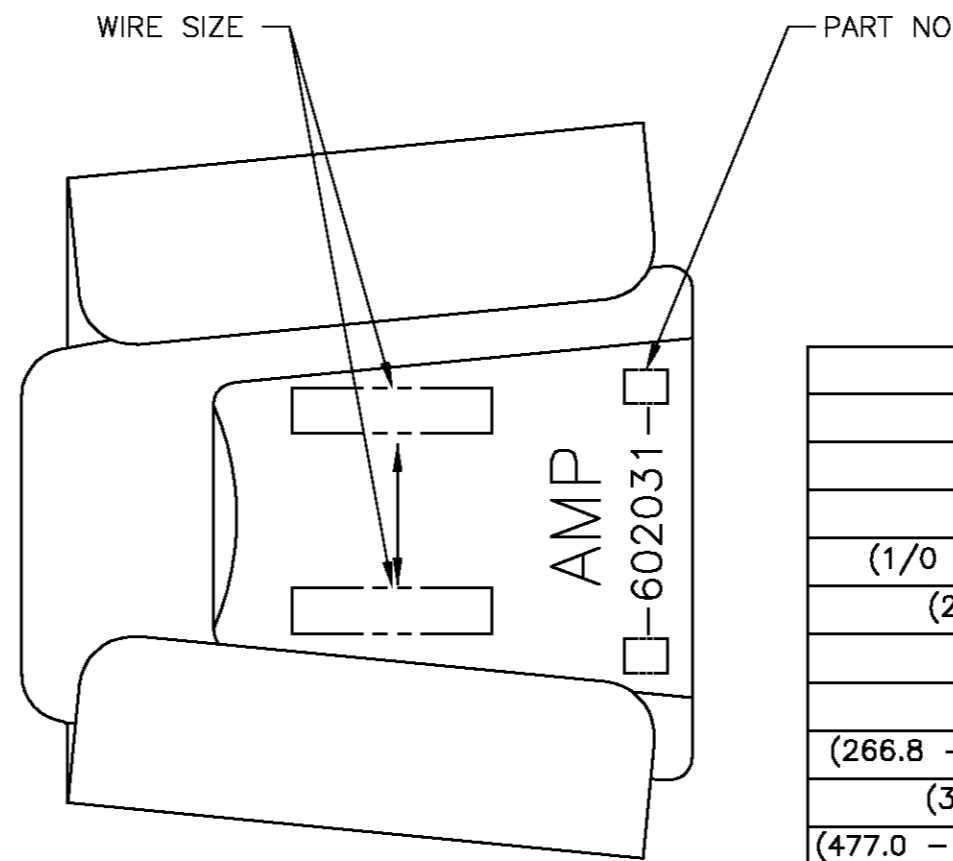
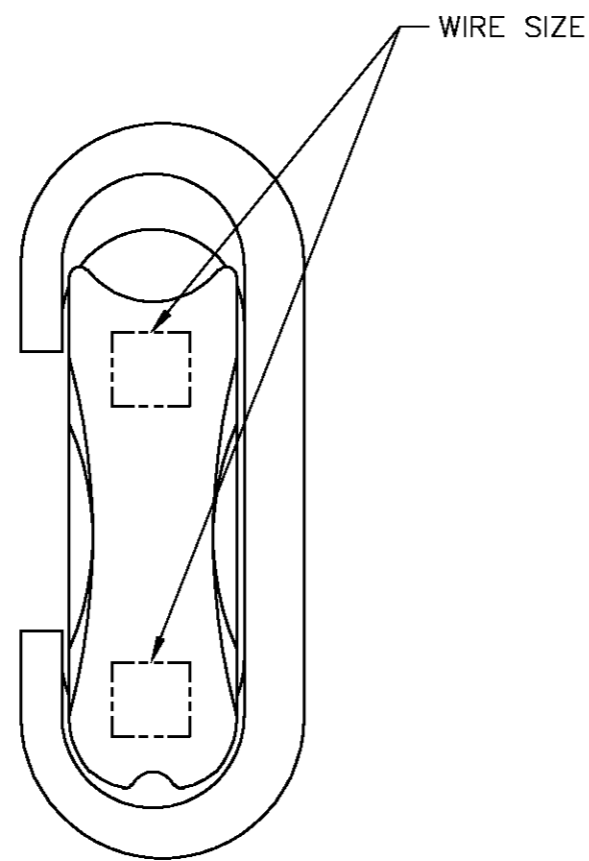
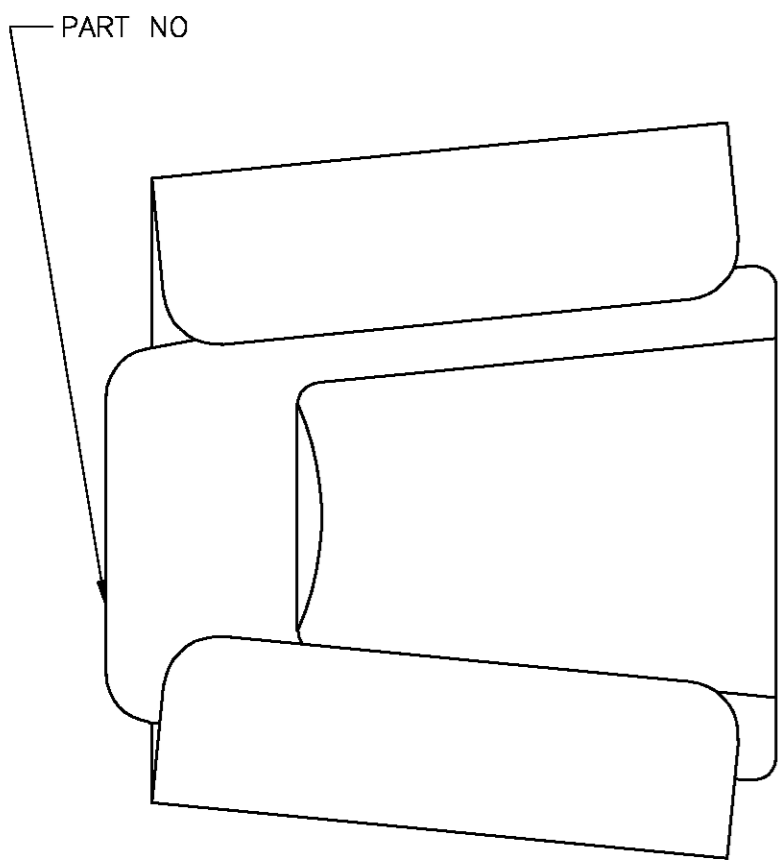
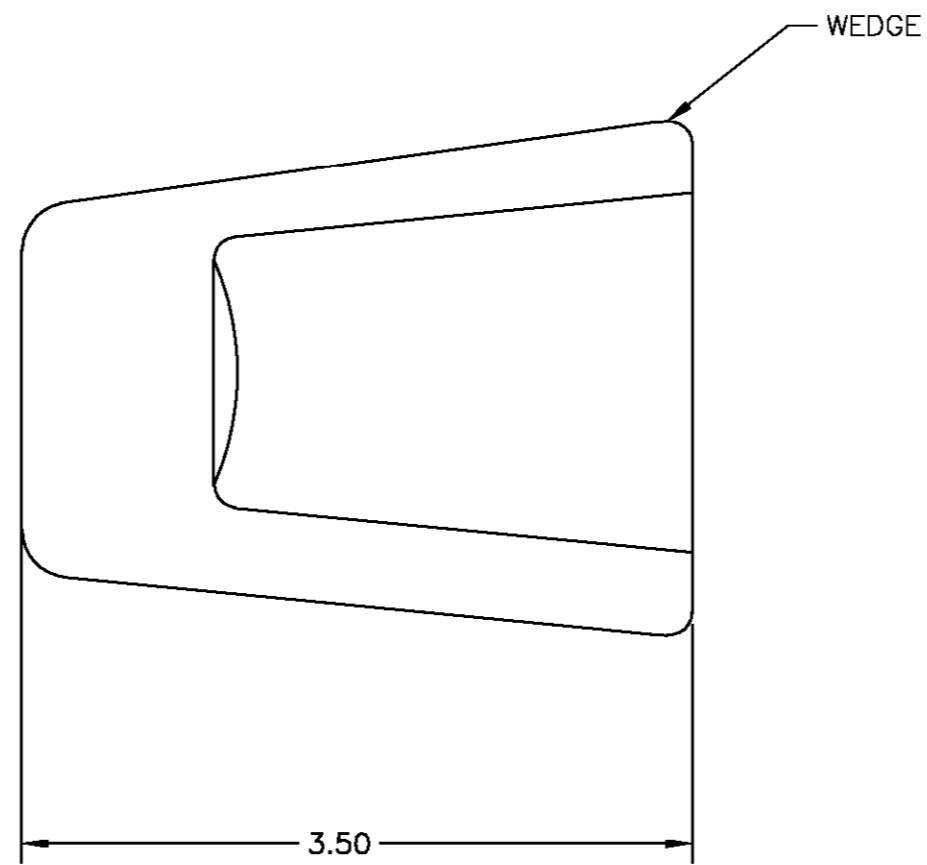
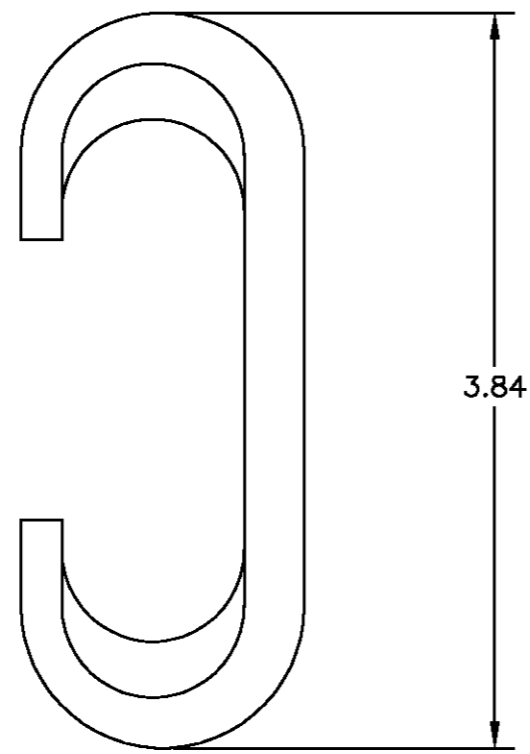
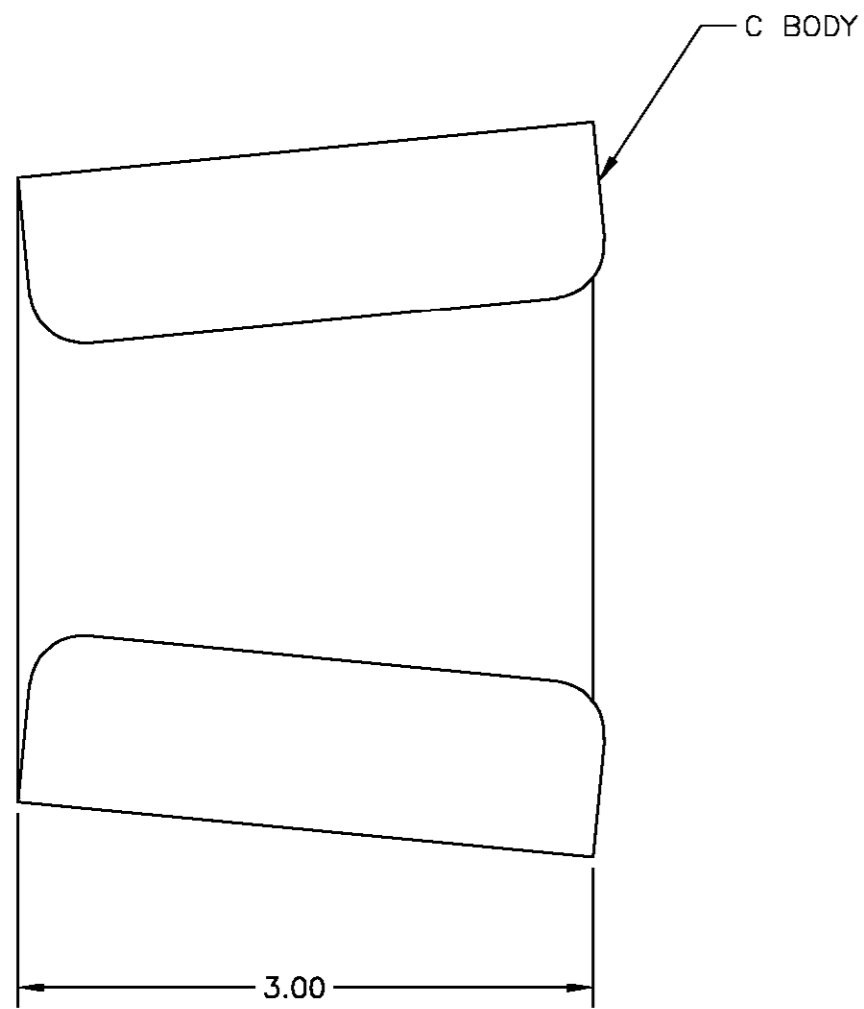


THIS DRAWING IS UNPUBLISHED. RELEASED FOR PUBLICATION
 © COPYRIGHT BY TYCO ELECTRONICS CORPORATION. ALL RIGHTS RESERVED.

LOC	DIST	REVISIONS			
P	LTR	DESCRIPTION	DATE	DWN	APVD
GA	1				
	D	PER LC20-0113-07 / ECO-07-008478	12APR07	DM	BJ

1. DIMENSIONS ARE FOR REFERENCE ONLY
2. INHIBITOR IS APPLIED AT FACTORY TO GROOVES OF 'C' BODY AND WEDGE
3. WIRE SIZES ARE MARKED ON WEDGE
4. P/N 5-602031-2 IS INSTALLED WITH BATTERY TOOL ONLY. ALL OTHER P/N's ARE INSTALLED WITH AMP TOOL PART NO 69611. (USE YELLOW SHELL PART NO. 69338-4).



ALTERNATE MARKING

556.5 - 556.5	ALUM ALLOY	ALUM ALLOY	5-602031-2
(#6 - 6/1) - (556.5 26/7)			2-602031-2
(#4 - 6/1 & 7/1) - (556.5 26/7)			2-602031-1
(#2 - 6/1 & 7/1) - (556.5 26/7)			2-602031-0
(1/0 - 2 - 6/1 & 7/1) - (477.0 - 556.5 26/7)			1-602031-9
(2/0 - 1 - 6/1) - (477.0 - 556.5 26/7)			1-602031-8
(3/0 - 1/0 6/1) - (477.0 - 556.5 26/7)			1-602031-7
(4/0 - 2/0 6/1) - (477.0 - 556.5 26/7)			1-602031-6
(266.8 - 4/0 & 3/0 6/1) - (477.0 - 556.5 26/7)			1-602031-5
(336.4 - 266.8 26/7) - (477.0 - 556.5 26/7)			1-602031-4
(477.0 - 336.4 & 397.5 26/7) - (477.0 - 556.5 26/7)			1-602031-3
556.5 - 556.5			1-602031-2
#6 - 477.0			1-602031-0
#4 - 477.0			602031-9
#2 - 477.0	602031-8		
WIRE SIZE	WEDGE QTY. 1	C BODY QTY. 1	PART NO

THIS DRAWING IS A CONTROLLED DOCUMENT.		DWN M CHOW 27 MAY 98	Tyco Electronics Corporation Markham, ON L3R 1E1	
DIMENSIONS: INCHES		CHK J HANNA 03 JUN 98	AMPACT TAP, 477.0 - 556.5 SERIES, YELLOW CODED	
TOLERANCES UNLESS OTHERWISE SPECIFIED: 0 PLC ± 1 PLC ± 2 PLC ± 3 PLC ± 4 PLC ± ANGLES ± FINISH		APVD B JOHNSON 03 JUN 98	RESTRICTED TO	
MATERIAL SEE CHART		PRODUCT SPEC	SIZE A2	CAGE CODE 00779
		APPLICATION SPEC	DRAWING NO C-602031	REV D
		WEIGHT	SCALE NTS	SHEET 1 OF 1
		CUSTOMER DRAWING		