

Installation Instructions

FINGER CABLE MANAGER, FOR 700-800W CABINETS

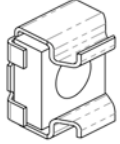
FINGER CABLE MANAGER INSTALLATION:

Finger Cable Manager is available in both long and short finger versions.

Included Hardware:

M6 Cage Nut, 12 ea.

M6 X 12mm PH screw, 12 ea.



Tools Required:

#3 Phillip screw driver.

Cage Nut Tool to install cage nuts.

Installation Instructions:

1. The Finger cable manger (Fig. 1) attaches to the Equipment mounting rail (Fig. 2).

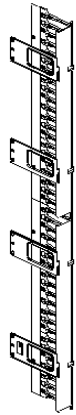


Fig. 1
Finger cable manager

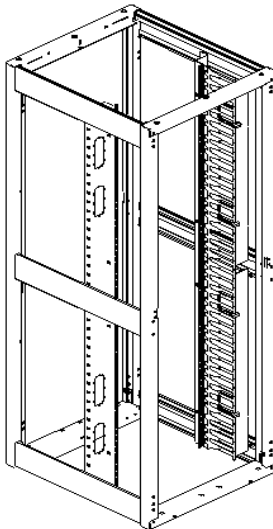
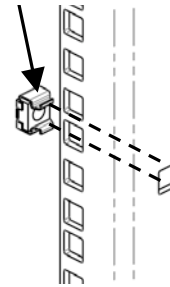


Fig. 2

2. To install cage nut into the rail RMU hole either using cage nut insertion tool (Fig. 3).

To install a cage nut with the cage nut insertion tool:

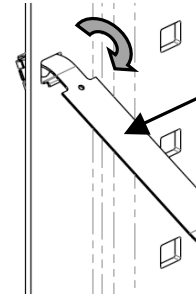
Cage nut



Rail

STEP 1: Determine the hole in which you want to install the cage nut.

From the inside of the rack mounting flange, insert one edge of the cage nut into the hole.



Cage nut insertion tool.

STEP 2: Push the tool through the hole and hook the other edge of the nut.



CHATSWORTH PRODUCTS

IIS-739112, 10/23/14, Rev. 3, CPI/JAG

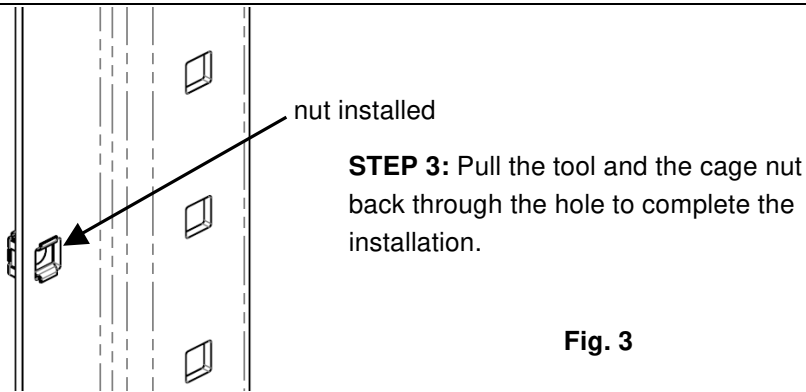
800-834-4969 (USA & Canada) • www.chatsworth.com • techsupport@chatsworth.com

For international phone numbers, see our website or contact CPI Tech Support.

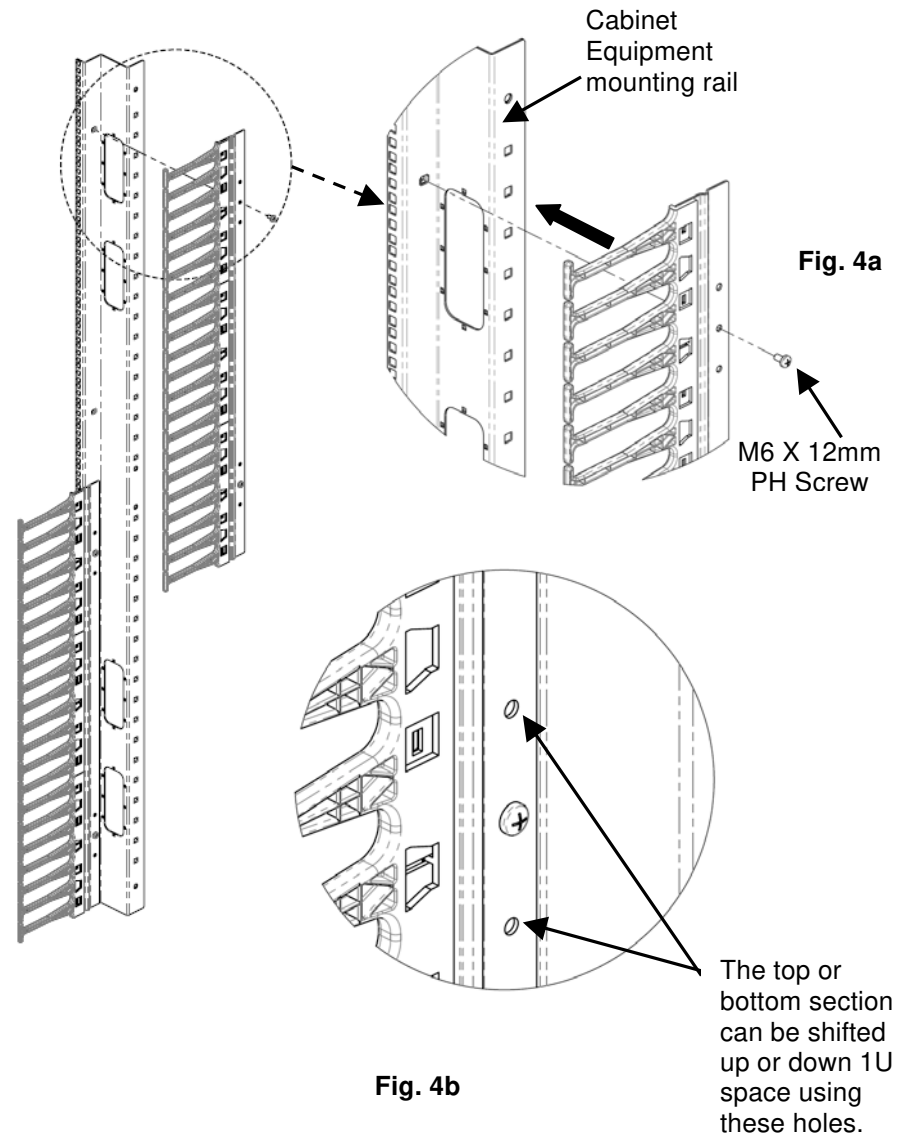
This drawing contains proprietary and confidential information and is protected by U.S. and international law. Unauthorized reproduction, disclosure or use of the drawing or the information therein is expressly forbidden except as agreed to in writing by Chatsworth Products, Inc.

Installation Instructions

FINGER CABLE MANAGER, FOR 700-800W CABINETS



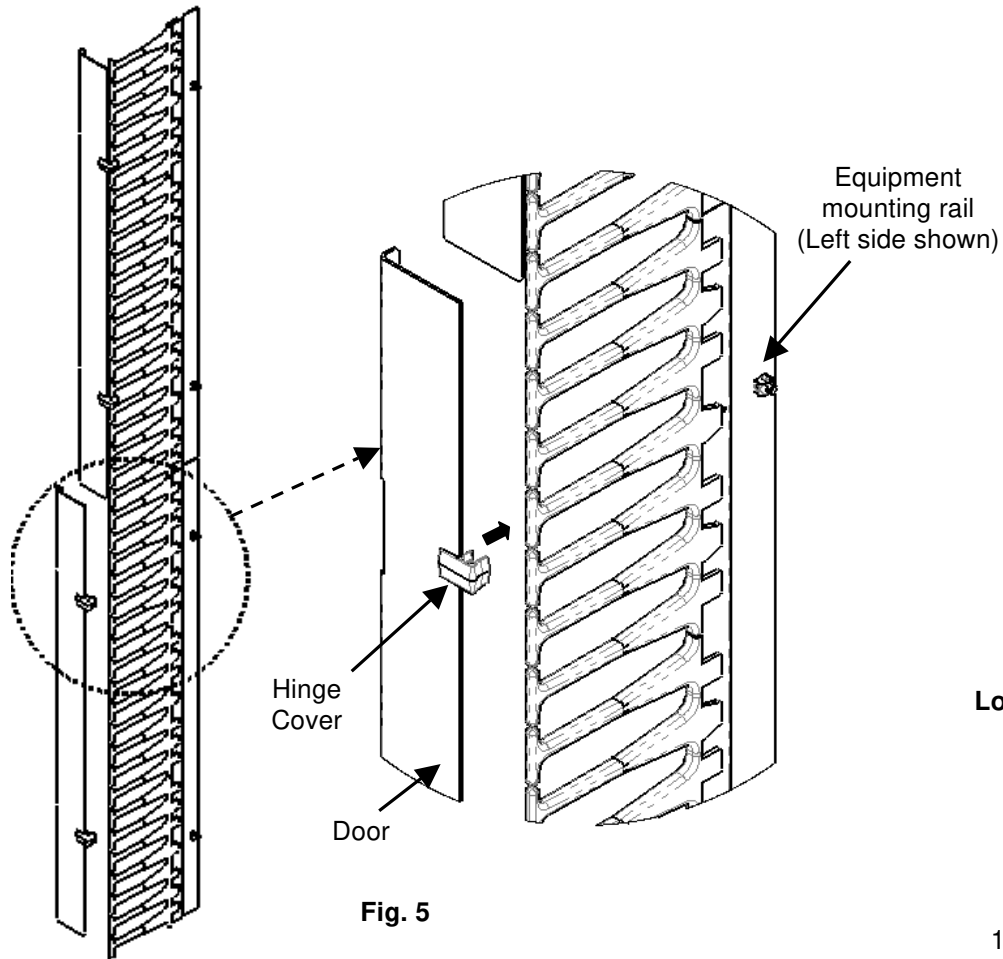
3. Attach each finger bracket to the side of the Equipment mounting rail closest to the rack-mount spaces with Two M6 X 12mm PH Screws (Fig. 4a).
4. For cabinets that have odd numbers of rack-mount spaces (43U, 45U, etc.), use the middle of the three holes on the Finger Cable Manager bracket, there will be an empty U space at the center of the rail. If desired, the top or bottom finger section can be shifted up or down 1U space so that the empty space is at the top or bottom of the rail (Fig. 4b)



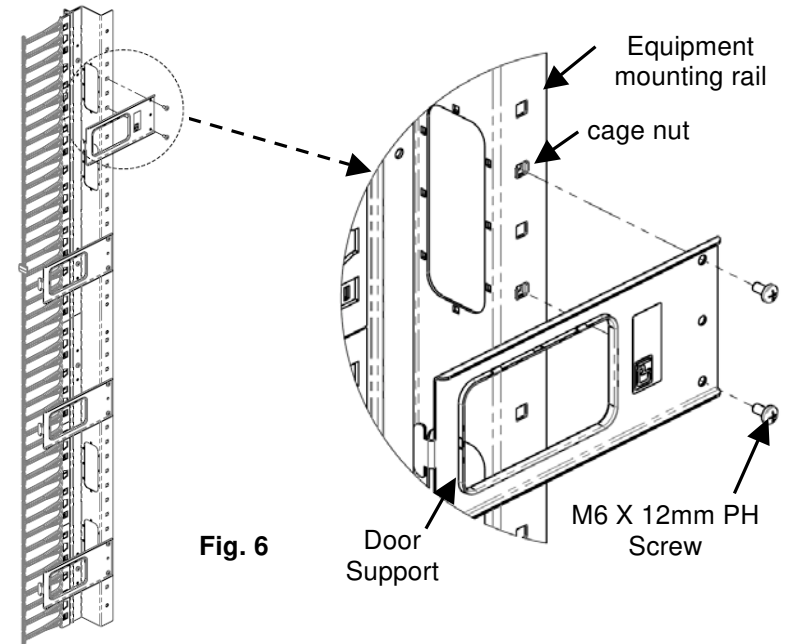
Installation Instructions

FINGER CABLE MANAGER, FOR 700-800W CABINETS

5. Attach the Door to the Fingers by snapping on the hinge cover (Fig. 5).



6. Locate the Door support bracket tab on to the Door slot, aligning to the mounting hole on the outside of the Equipment Mounting Rail and fasten it by using Two M6 X 12mm PH Screw (Fig. 6).



7. The equipment rail must be set back a minimum distance 10.1" (256mm) or 7.6" (192mm) for finger cable manager installation (Fig. 7).

