



RMTR-11H0U

Meter Mounting & Distribution Equipment

Houston Area Utilities

**COOPER B-Line**



Cooper B-Line Meter Mounting History

Cooper B-Line, a leading global manufacturer, purchased Circle AW in 1993. We continue the tradition began by Circle AW in 1940 - engineering and manufacturing quality meter mounting equipment. Today, Cooper B-Line is one of the largest meter socket manufacturers in the United States.

At Cooper B-Line, we drive innovation through new product development and continuous improvement of existing products and technologies. We design and manufacture solutions that help save time and money. In fact, Cooper B-Line produced the first UL listed Meter Socket, and the first UL listed 320 class meter socket.

For additional information on Cooper B-Line Meter Mounting Products or other product lines, visit www.cooperbline.com.



Sherman, TX Manufacturing & Engineering Facility

- 280,000 square feet
- Metering
- Commercial, Industrial, & Data Comm Enclosures
- Cable Tray

Single Meter Sockets

Self Contained - Ring Type

 125 Amp Continuous - 600 VAC..... 4 - 5

 200 Amp Continuous - 600 VAC..... 4 - 5

Self Contained - Ringless

 125 Amp Continuous - 600 VAC - Lever Bypass..... 6 - 7

 200 Amp Continuous - 600 VAC - Lever Bypass..... 6 - 7

 320 Amp Continuous - 600 VAC - Lever Bypass..... 6 - 7

Accessories

AW Hubs, H-Base Hubs, Lug Kits..... 8

Cap Setscrew Assemblies, Horn Bypass Cap
Assemblies, Ground Lugs, 5th Jaw Terminal Kits,
7th Jaw Terminal Kit 9

Jumper Link, Closer Plate, Touch-Up Paint 10

Technical Data

Breaker & AIC Ratings Tables 11

Cross Reference 11

Single Meter Sockets - Self Contained - Ring Type

Single Meter Sockets



011-HLP shown open



204-HLP shown open



207-HLP shown open

Application

- Single meter position
- Designed for watt hour meters that meet ANSI C12.10
- Overhead or underground feed
- Surface mount

Construction

- Ring Type cover
- Type 3R construction
- 16 Ga. galvaneal/galvanized steel
- 5th jaw provision at nine (9) o'clock

Standards

- UL 414 listed
- Complies with ANSI C12.7

Finish

- ANSI 61 gray painted finish

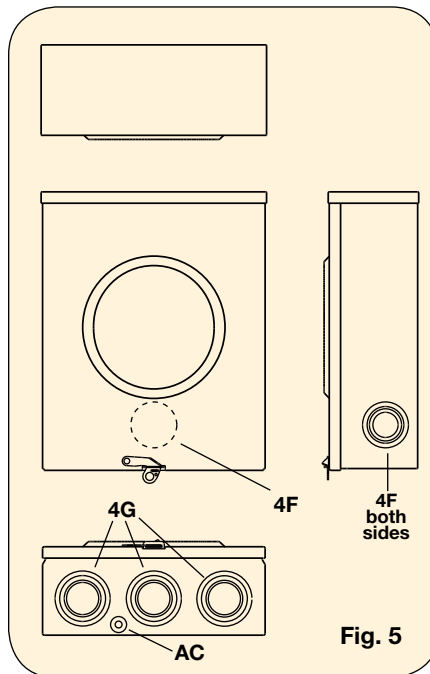
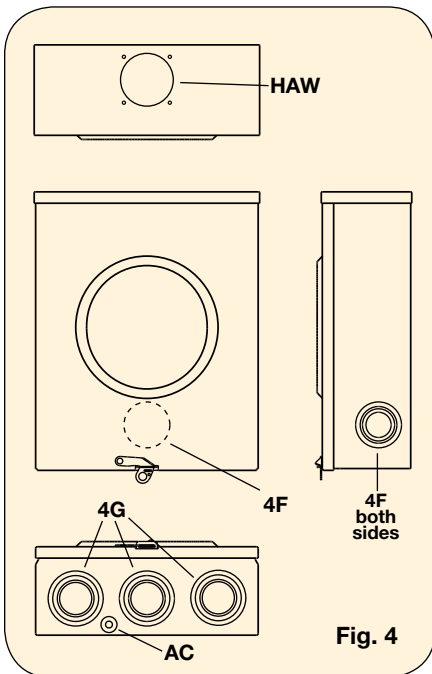
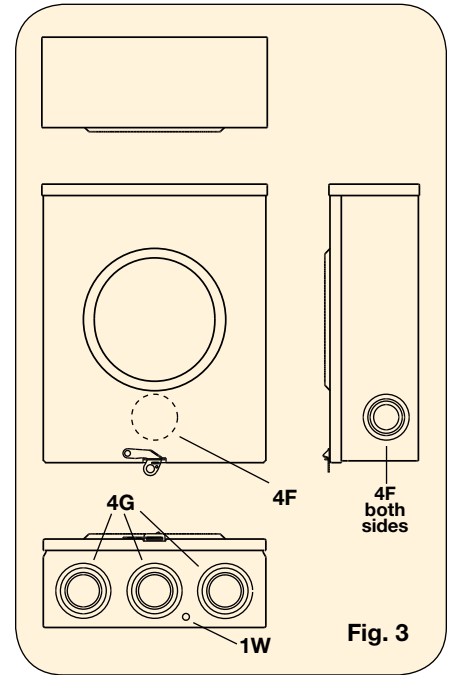
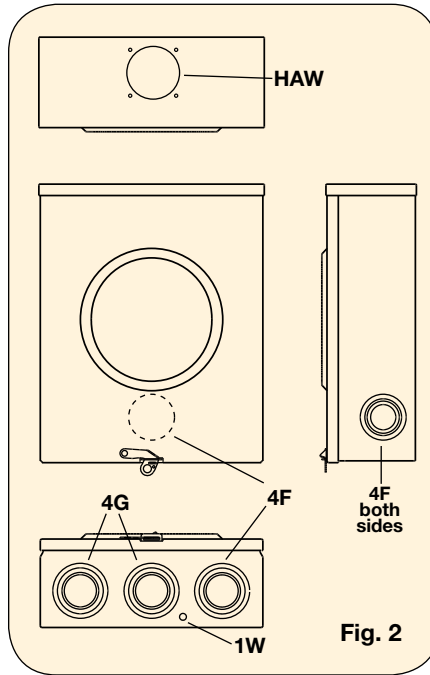
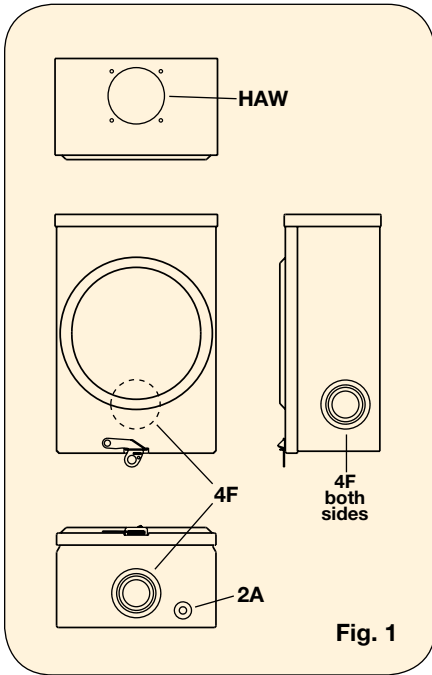
Accessories

- Replacement sockets
- AW hub assemblies
- Cap setscrew assemblies
- 5th jaw terminal kits
- Lug kits
- Jumper links
- Closing plates
- Touch-up paint

Part/UPC	Catalog Number	Service	Top Provision	Service Type	No. of Terminals	Bypass	Conductors Line/Load	Ground Prov. (Qty)	Overall Dimensions			Knockout Layout
									Height	Width	Depth	
600 VAC, 125 Amp - Continuous Ring Type (AIC Rated per Table RL1 on page 11)												
78205126113	011-HLP	OH	AW Hub	1Ø/3W	4	None	#14 AWG-2/0 AWG	#14 AWG-1/0 AWG (1)	12 1/16"	8 1/8"	4 15/16"	Fig. 1
600 VAC, 200 Amp - Continuous Ring Type (AIC Rated per Table RL1 on page 11)												
78205126114	204-HLP	OH/UG	AW Hub	1Ø/3W	4	None	#6 AWG-250 kcmil	#6 AWG-350 kcmil (1)	15 1/16"	12 3/16"	4 15/16"	Fig. 2
78205125628	U204-HLP	UG	None	1Ø/3W	4	None	#6 AWG-250 kcmil	#6 AWG-250 kcmil (1)	15 1/16"	12 3/16"	4 15/16"	Fig. 3
600 VAC, 200 Amp - Continuous Ring Type (AIC Rated per Table RL1 on page 11)												
78205126115	207-HLP	OH/UG	AW Hub	3Ø/4W	7	None	#6 AWG-250 kcmil	1/0 AWG-250 kcmil (1)	18 1/16"	12 3/16"	5 5/16"	Fig. 4
78205125629	U207-HLP	UG	None	3Ø/4W	7	None	#6 AWG-250 kcmil	1/0 AWG-250 kcmil (1)	18 1/16"	12 3/16"	5 5/16"	Fig. 5

Data subject to change without notice. Consult local utility for area acceptance. All dimensions are in inches.

Knockout Layouts



Knockouts - Conduit Sizes

- 1W = 1/4" dia.
- 2A = 1/2" - 3/8" dia.
- 4F = 2" - 1 1/2" - 1 1/4" - 1"
- 4G = 2 1/2" - 2" - 1 1/2" - 1 1/4"
- AC = 1/2", 1/4"
- HAW = AW Hub Opening (Small)

Data subject to change without notice. Consult local utility for area acceptance. All dimensions are in inches.

Single Meter Sockets - Ringless

Single Meter Sockets

320 Amp Continuous - 600 VAC - Ringless Type



EL32T76GRST
shown open
& closed



125 & 200 Amp Continuous - 600 VAC



EN20L43GRST
shown open
& closed



Application

- Single meter position
- Designed for watt hour meters that meet ANSI C12.10
- Overhead or underground feed
- Surface mount

Finish

- ANSI 61 gray painted finish

Accessories

- Replacement sockets
- H-Base hub assemblies
- 5th jaw terminal kits
- Lug kits
- Lug/stud landing pads
- Closing plates
- Touch-up paint

Construction

- Ringless cover
- Type 3R construction
- 16 Ga. galvaneal/galvanized steel
- 5th jaw provision at nine (9) o'clock

Standards

- UL 414 listed
- Complies with ANSI C12.7

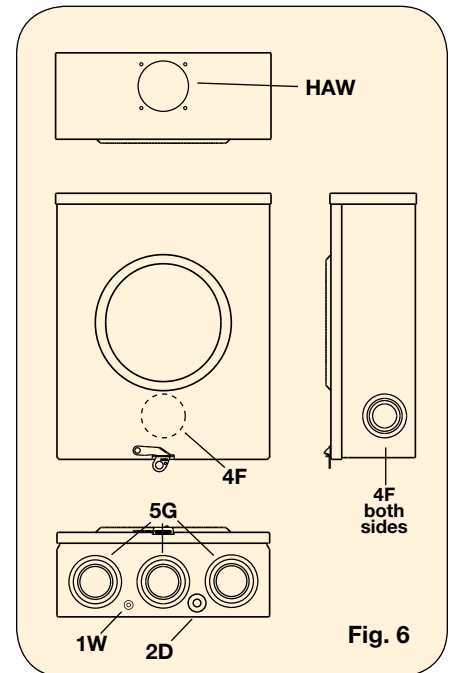
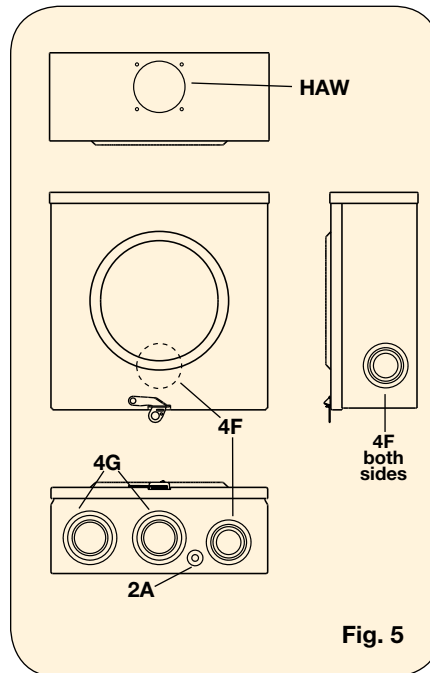
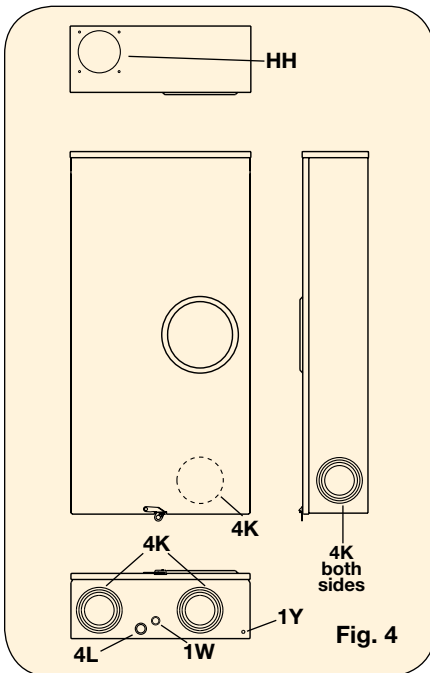
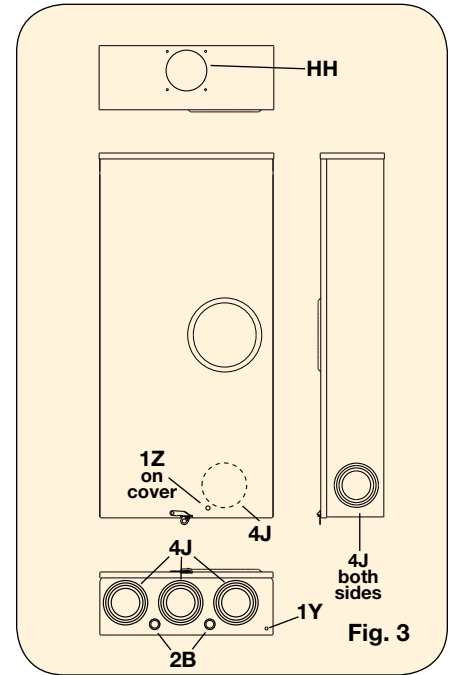
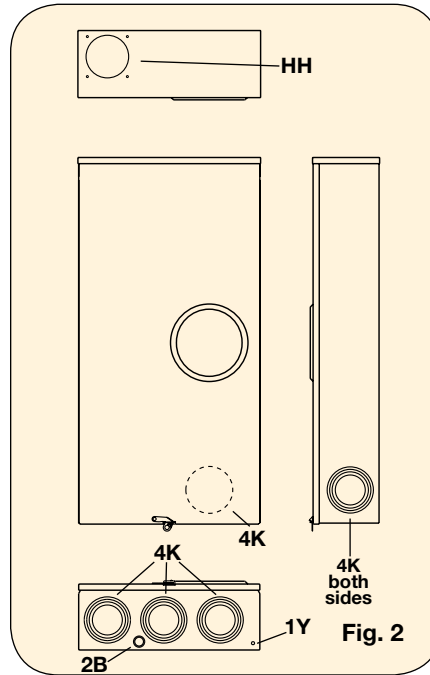
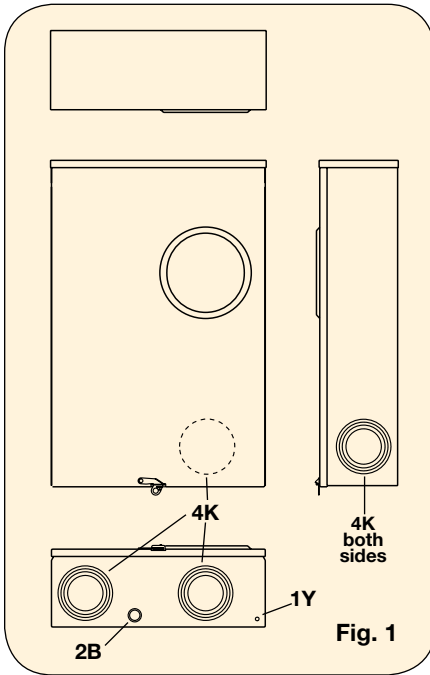
Part/UPC	Catalog Number	Service	Top Provision	Service Type	No. of Terminals	Bypass	Conductors Line/Load	Ground Prov. (Qty)	Overall Dimensions			Knockout Layout
									Height	Width	Depth	
600V, 125 Amp Continuous - Ringless (AIC Rated per Table RL1 on page 11)												
78205131439	EN12L43GRST	OH/UG	AWCAP	1Ø/3W	4	None	#14 AWG - 2/0 AWG	#10 AWG - #2 AWG (1)	12 1/8"	12 1/4"	5 1/4"	Fig.5
600V, 200 Amp - Continuous (AIC Rated per Table RL1 on page 11)												
78205131487	EN20L43GRST	OH/UG	AWCAP	1Ø/3W	4	None	#6 AWG - 350 kcmil	#10 AWG - #2 AWG (1)	15 1/8"	12 1/4"	5 1/4"	Fig.6
600 VAC, 320 Amp Continuous Ringless - Lever Bypass (AIC Rated per Table RL1 on page 11)												
78205140883	EL32T44GRST	UG Bussed Offset	None	1Ø/3W	4†	Lever	3/8"-16 Stud 3/8"-16 Stud	#10 AWG - 1/0 AWG (1)	27 5/8"	18 1/4"	7 1/8"	Fig. 1
78205138485	EL32T46GRST	OH/UG Bussed Offset	H10	1Ø/3W	4†	Lever	3/8"-16 Stud 3/8"-16 Stud	#10 AWG - 1/0 AWG (1)	36 5/8"	18 1/4"	7 1/8"	Fig. 4
600 VAC, 320 Amp Continuous Ringless - Lever Bypass (AIC Rated per Table RL1 on page 11)												
78205178094	EL32T76GR1E	OH/UG Bussed Offset	H10	3Ø/4W	7	Lever	3/8"-16 Stud 3/8"-16 Stud	#10 AWG - 1/0 AWG (1)	39 1/8"	20 1/4"	7 1/8"	Fig. 2
78205178095	EL32L53GR1E	OH/UG Non-Bussed Offset	H10	1Ø/3W OR 3Ø/3W	5††	Lever	#6 AWG - 250 KCMIL (Double Lug) #6 AWG - 250 KCMIL (Double Lug)	#10 AWG - 1/0 AWG (1)	36 1/8"	16 1/8"	6 5/32"	Fig. 3

† 5th jaw provisions at six (6) and nine (9) o'clock

†† 5th jaw provided at 9 O'Clock. Can be relocated to 6 O'Clock

Data subject to change without notice. Consult local utility for area acceptance. All dimensions are in inches.

Knockout Layouts



Knockouts - Conduit Sizes

1W = 1/4" dia.

1Y = 5/16" dia.

1Z = 7/16" dia.

2A = 1/2" - 3/8" dia.

2B = 3/4" - 1/2"

2D = 1 1/2" - 1 1/4"

4F = 2" - 1 1/2" - 1 1/4" - 1"

4G = 2 1/2" - 2" - 1 1/2" - 1 1/4"

4J = 3 1/2" - 3" - 2 1/2" - 2"

4K = 4", 3 1/2" - 3" - 2 1/2"

4L = 1" - 3/4" - 1/2" - 1/4"

5G = 2 1/2" - 2" - 1 1/2" - 1 1/4" - 1"

HAW = AW Hub Opening (Small)

HH = H Hub Opening (Large)

Data subject to change without notice. Consult local utility for area acceptance. All dimensions are in inches.

Accessories

Accessories

AW Hubs

Part/UPC Number	Catalog Number	Description
78205139040	AW100	1" Conduit
78205139050	AW125	1 1/4" Conduit
78205139060	AW150	1 1/2" Conduit
78205139070	AW200	2" Conduit
78205139080	AW250	2 1/2" Conduit
78205134721	AWCAP	AW Cap - Gray



H-Base Hubs

Part/UPC Number	Catalog Number	Description
78205141100	H7	Hub Adapter AW To H-Base
78205141110	H10	H-Base Cap - Gray
78205141130	H30	3" Conduit
78205141132	H35	3 1/2" Conduit
78205141134	H40	4" Conduit



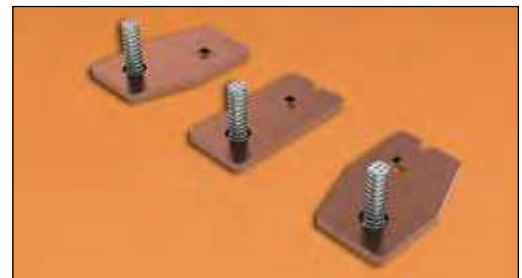
Lug Kits

Part/UPC Number	Catalog Number	Description
78205163260	101	1/0 Single Lug Kit, 1 Per Set
78205163261	103	1/0 Triple Lug Kit, 1 Per Set
78205163262	201	2/0 Single Lug Kit, 1 Per Set
78205163263	202	2/0 Dual Lug Kit, 1 Per Set
78205139641	212	250 KCMIL Dual Lug Kit, 1Ø, 3 Per Set
78205139642	311	350 KCMIL Single Lug Kit, 1Ø, 3 Per Set
78205139643	312	350 KCMIL Double Lug Kit, 1Ø, 3 Per Set
78205139647	331	350 KCMIL Single Lug Kit, 3Ø, 4 Per Set
78205139648	332	350 KCMIL Double Lug Kit, 3Ø, 4 Per Set
78205139644	611	600 KCMIL Single Lug Kit, 1Ø, 3 Per Set
78205139645	612	600 KCMIL Double Lug Kit, 1Ø, 3 Per Set
78205139649	631	600 KCMIL Single Lug Kit, 3Ø, 4 Per Set
78205139650	632	600 KCMIL Double Lug Kit, 3Ø, 4 Per Set



Stud/Lug Landing Pad Kits

Part/UPC Number	Catalog Number	Description
78205144475	ES38	3/8" Stud, 3 Per Set
78205144476	ES12	1/2" Stud, 3 Per Set



Cap Set Screw Assemblies with Grounding Electrode Connector (For 204-HLP & U204-HLP)

Part/UPC Number	Catalog Number	Description
78205144649	ETB200	For 200A, 350 kcmil Lay-In Lugs

12 pieces per set



7th Jaw Terminal Kit

Part/UPC Number	Catalog Number	Description
78205144474	50368	For Lever Bypass 3Ø/4W Applications

1 kit per bag



Accessories

Cap Set Screw Assemblies

Part/UPC Number	Catalog Number	Description
78205126400	EB125	For 125A, 2/0 Lay-In Lugs
78205126401	EB200	For 200A, 350 kcmil Lay-In

12 pieces per set



EB200

5th Jaw Terminal Kits

Part/UPC Number	Catalog Number	Description
78205139465	50365	For Non-Lever Bypass 1Ø/3W Applications
78205139429	50366	For Lever Bypass 1Ø/3W Applications

1 per kit



50365



z50366

Accessories

Accessories

Jumper Link

Part/UPC Number	Catalog Number	Description
78205152102	SJ-100	100A & 200A Jumper Link

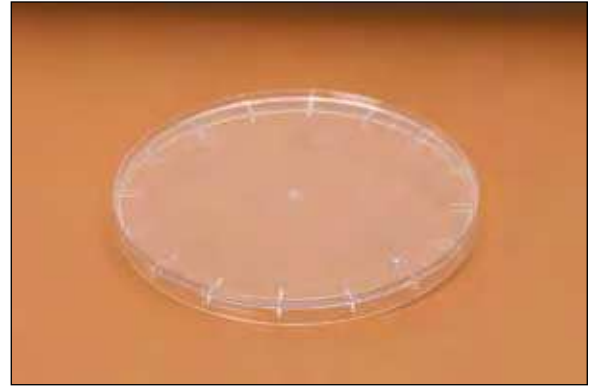
1 pieces per bag



SJ-100

Closing Plate

Part/UPC Number	Catalog Number	Description
78205139430	25162	Clear Plastic Closing Plate



25162

Touch-Up Paint

Part/UPC Number	Catalog Number	Description
78205183012	84034	ANSI 61 Gray Touch-up Paint



84034

Breaker & AIC Ratings Tables

Table RL1			AIC Rating		
AC Voltage	Manufacturer	18,000	22,000	42,000	200,000
600	Fuse				J or T
480	Fuse			RK1	
240	Siemens			HF6	
240	Siemens			QJ2H	
240	Siemens		QJH2		
240	Siemens		QPH		
240	Cutler Hammer		CAH		
240	125A Listed Circuit Breakers (1 Phase)		ALL		
240	200A Listed Circuit Breakers	ALL			

Milbank Cross Reference

Cooper B-Line Catalog Part	Milbank Part Number
Accessories	
101	K1539
103	K1539
201	K1539
202	K1539
212	K1539
311	K1539
312	K1350
331	K3082
332	K3442
611	K1540
612	K1541
631	K3441
632	K3083
25162	6116
50365	5T8K2
50366	K3865
50368	K1539
84034	A-GP61
AW100	A7514
AW125	A7515
AW150	A7516
AW200	A7517
AW250	A7518
AWCAP	A7551
EB200	--
ES12	--
ES38	--
ETB200	--
H-7	A8324
H-10	A9064
H-30	A8110
H-35	A8111
H-40	A8112
SJ-100	K8180

Milbank Cross Reference

Cooper B-Line Catalog Part	Milbank Part Number	Page #
Meter Sockets		
011-HLP	-	4, 5
204-HLP	U8878-RL-LR	4, 5
U204-HLP	U8878-0-LR	4, 5
207-HLP	U3328-RXL-LR	4, 5
U207-HLP	-	4, 5
EN12L43GRST	U8435-RL-TG	6, 7
EN20L43GRST	U7021-RL-TG	6, 7
EL32T44GRST	U1797-0-K3L-K2L	6, 7
EL32T46GRST	U2448-X	6, 7
EL32T76GR1E	U2594-X U4487-X-2	6, 7
EL32L53GR1E	U4505-X-2	6, 7

For applicable uses consult Cooper B-Line's Engineering Department

Global Locations

Cooper B-Line's U.S. Customer Service Center is staffed Monday through Friday from 7 a.m. to 5:00 p.m. Central Standard Time. If a situation requires that you have to contact us after hours, please leave a message via phone or E-mail so we can give it immediate attention the following business day.

Service Facility - United States:
Cooper B-Line - USA
509 West Monroe Street
Highland, IL 62249
United States
Phone: (800) 851-7415
Fax: (800) 356-1438
blineus@cooperindustries.com

Service Facility - Canada:
Cooper B-Line - Canada
Div. of Cooper Ind. Canada, Inc.
5925 McLaughlin Road
Mississauga, ON L5R 1B8
Canada
Phone: (800) 569-3660
Fax: (888) 753-3355
blinecanada@cooperindustries.com

Service Facility - Europe:
Cooper B-Line, Ltd. - UK
Walrow, Highbridge
Somerset, TA9 4AQ
United Kingdom
Phone: + 44 (0) 1278 783371
Fax: + 44 (0) 1278 789037
sales@cooperblinc.co.uk

Cooper B-Line - Saudi Arabia:
PO Box 70160 - Al Khobar - 31952
Kingdom of Saudi Arabia
Phone: 00966 3 812 2236
Fax: 00966 3 812 1291
blineme@cooperindustries.com
www.cooperblinc.com/me

Literature Fulfillment Questions:
Phone: (314) 426-1800
Fax: (314) 426-6022
cooperblinc@repcographics.com

Request Literature Website:
<http://order.repcographics.com/cooperb/>

Cooper B-Line - USA
509 West Monroe Street
Highland, IL 62249
United States
Phone: (800) 851-7415 • Fax: (800) 356-1438
www.cooperblinc.com
blineus@cooperindustries.com

E-Tel Manufacturers Representatives
7106 Cavalcade
Houston, TX 77028
Phone: (713) 678-4460
Fax: (713) 678-4371
E-Mail: dhuber@etelinc.com

Cooper US, Inc.
600 Travis, Ste. 5600
Houston, TX 77002-1001
Phone: 713-209-8400
www.cooperindustries.com