



**Walker® Infloor Systems**

# VA Trench Risers

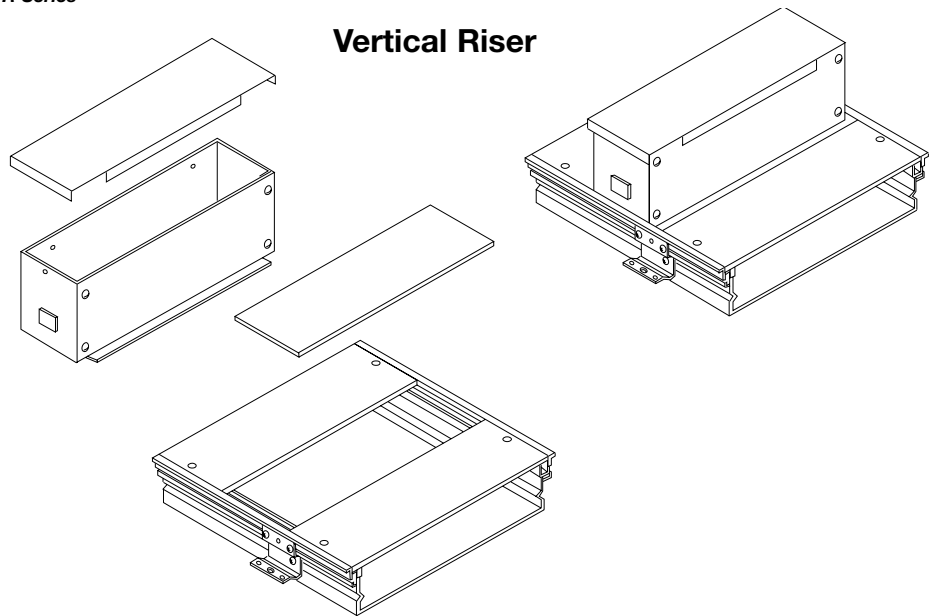
## INSTALLATION INSTRUCTIONS

Walker® electrical systems conform to and should be properly grounded in compliance with requirements of the current National Electrical Code or codes administered by local authorities.

All electrical products may represent a possible shock or fire hazard if improperly installed or used. Walker electrical products may bear the mark as UL listed and/or classified and should be installed in conformance with current local and/or the National Electrical Code.

Products Covered: Cat. Nos. VA12W-VI and VA12W-VR Series

1. Layout location of riser and mark cover plate.
2. Remove cover plate from trenchduct.
3. Cut a 3 1/2" [89mm] cutout in cover plate and discard as shown.
4. Place riser on trenchduct side rails and fasten down with cover hold down screws.
5. Tape temporary cover over riser to keep out dirt.



1. Layout location of elbow and mark cover plate.
2. Remove cover plate from trenchduct.
3. Cut a 6" [152mm] cutout in cover plate and discard as shown.
4. Place elbow on trenchduct side rails and fasten down with cover hold down screws.
5. Tape temporary cover over riser to keep out dirt.

